

# CDP-C5F/C5S/ C57

## SERVICE MANUAL

CDP-C5F:  
US Model  
Canadian Model  
AEP Model  
E Model

CDP-C5S:  
US Model

CDP-C57:  
US Model



Photo: CDP-C5F

### SPECIFICATIONS

#### COMPACT DISC PLAYER CDP-C5F

|                       |   |
|-----------------------|---|
| System                | Compact disc digital audio system   |
| Laser                 | Semiconductor laser ( $\lambda = 780 \text{ nm}$ )<br>Emission duration: continuous   |
| Laser output          | Max. 0.4 mW*<br>* This output is the value measured at a distance of about 1.6 mm from the objective lens surface on the Optical Pick-up Block.   |
| Frequency response    | 2 Hz - 20 kHz ( $\pm 0.5 \text{ dB}$ )  |
| Signal to noise ratio | More than 95 dB   |
| Dynamic range         | More than 93 dB   |
| Harmonic distortion   | Less than 0.005% (1 kHz)  |
| Channel separation    | More than 90 dB (1 kHz)   |
| Wow and flutter       | Below measurable limit  |
| Outputs               | LINE OUT (phono jacks)<br>Output level 2 V (at 50 kilohms)<br>Load impedance over 10 kilohms<br>HEADPHONES (stereo phone jack)<br>Output level 0 - 28 mW (variable) (at 32 ohms)<br>Output impedance 220 ohms |

#### General

|                            |  |
|----------------------------|--|
| Power requirements         | US, Canadian: 120 V AC, 60 Hz<br>AEP model: 220 V AC (240 V AC, adjustable by authorized Sony personnel), 50/60 Hz<br>E model: 120/220/240 V AC, switchable, 50/60 Hz<br>120 V AC, 60 Hz |
| Power consumption          | 10 W   |
| AC outlet (USA model only) | 100 W max. unswitched  |
| Dimensions                 | Approx. 430 × 106 × 415 mm (w/h/d)<br>(17 × 4 <sup>1</sup> / <sub>4</sub> × 16 <sup>3</sup> / <sub>8</sub> inches)<br>not including projecting parts and controls                        |
| Weight                     | Approx. 7.5 kg (16 lbs 9 oz), net  |


#### REMOTE COMMANDER RM-D5

|                       |  |
|-----------------------|--|
| Remote control system | Infrared control   |
| Power requirements    | 3 V DC with two size AA (R6) batteries   |
| Dimensions            | 43 × 20 × 175 mm (w/h/d)<br>(1 <sup>3</sup> / <sub>4</sub> × 7 <sup>7</sup> / <sub>8</sub> × 6 <sup>7</sup> / <sub>8</sub> inches) |
| Weight                | 145 g (5 oz)<br>including batteries  |


#### Note

This appliance conforms with EEC Directives 76/889 and 82/499 regarding interference suppression.

#### SAFETY-RELATED COMPONENT WARNING!!

COMPONENTS IDENTIFIED BY SHADING AND MARK  ON THE SCHEMATIC DIAGRAMS AND IN THE PARTS LIST ARE CRITICAL TO SAFE OPERATION. REPLACE THESE COMPONENTS WITH SONY PARTS WHOSE PART NUMBERS APPEAR AS SHOWN IN THIS MANUAL OR IN SUPPLEMENTS PUBLISHED BY SONY.

#### ATTENTION AU COMPOSANT AYANT RAPPORT À LA SÉCURITÉ!

LES COMPOSANTS IDENTIFIÉS PAR UNE TRAME ET UNE MARQUE  SUR LES DIAGRAMMES SCHEMATIQUES ET LA LISTE DES PIÈCES SONT CRITIQUES POUR LA SÉCURITÉ DE FONCTIONNEMENT. NE REMPLACER CES COMPOSANTS QUE PAR DES PIÈCES SONY DONT LES NUMÉROS SONT DONNÉS DANS CE MANUEL OU DANS LES SUPPLÉMENTS PUBLIÉS PAR SONY.

# COMPACT DISC PLAYER SONY®

AUD



使用時は添付資料も参照のこと  
Refer to the additional documents.

## FEATURES

### Compact disc player with 5 disc trays

Plays up to 5 discs continuously with its disc compartment having 5 disc trays (MULTI play).

### Direct access to the desired disc

Any disc in the compartment can be played with the DISC SELECT button any time you want (MULTI PLAY).

### Various functions

- PROGRAM play function for playing up to 32 selections on any disc in a desired order
- SHUFFLE play function for playing the selections in a random order
- Repeat function for normal, PROGRAM and SHUFFLE play in either SINGLE or MULTI mode

### Memory back up

The programmed playback order is retained for approximately 3 days with the power turned off or with the disc compartment being opened. This allows you to confirm the programmed order referring to the disc labels with the compartment open.

## CAUTIONS ABOUT DISCTABLE

- \* Do not push the disc-table in or pull it out forcibly, since the disc-table does not work without the power switched on.
- \* Be careful not to disturb the disc-table in ejecting motion.
- \* If something like a wire or a finger is caught by the disc-table, depress the OPEN/CLOSE button as soon as possible, so that the disc-table will move reversely.

## CONTENTS

| Section                     | Title                             | Page  |
|-----------------------------|-----------------------------------|-------|
| SPECIFICATIONS              | .....                             | 1     |
| FEATURES                    | .....                             | 2     |
| SAFETY CHECK-OUT (US Model) | .....                             | 2     |
| MODEL IDENTIFICATION        | .....                             | 3     |
| SECTION 1                   | OUTLINE                           |       |
| 1-1.                        | LOCATION AND FUNCTION OF CONTROLS | 3     |
| 1-2.                        | AUTO PAUSE                        | 5-2   |
|                             | NOTES ON HANDLING THE OPTICAL     | 7     |
| SECTION 2                   | DISASSEMBLY                       | 8     |
| SECTION 3                   | ADJUSTMENTS                       | 9-12  |
| SECTION 4                   | CIRCUIT BOARDS LOCATION           | 12    |
| SECTION 5                   | DIAGRAMS                          |       |
| 5-1.                        | MOUNTING DIAGRAM                  | 13-14 |
| 5-2.                        | SCHEMATIC DIAGRAM                 | 15-16 |
| 5-3.                        | MOUNTING DIAGRAM                  | 17-20 |
| 5-4.                        | SCHEMATIC DIAGRAM                 | 21-25 |
|                             | IC BLOCK DIAGRAMS                 | 27    |
|                             | SEMICONDUCTOR LEAD LAYOUTS        | 29    |
| SECTION 6                   | EXPLODED VIEWS AND PARTS LIST     | 30-34 |
| SECTION 7                   | ELECTRICAL PARTS LIST             | 35-40 |
| SECTION 8                   | TROUBLE SHOOTING                  | 40    |

## SAFETY CHECK-OUT (US Model)

After correcting the original service problem, perform the following safety check before releasing the set to the customer:

Check the antenna terminals, metal trim, "metallized" knobs, screws, and all other exposed metal parts for AC leakage. Check leakage as described below.

## LEAKAGE TEST

The AC leakage from any exposed metal part to earth ground and from all exposed metal parts to any exposed metal part having a return to chassis, must not exceed 0.5 mA (500 microampers). Leakage current can be measured by any one of three methods.

1. A commercial leakage tester, such as the Simpson 229 or RCA WT-540A. Follow the manufacturers' instructions to use these instruments.
2. A battery-operated AC milliammeter. The Data Precision 245 digital multimeter is suitable for this job.
3. Measuring the voltage drop across a resistor by means of a VOM or battery-operated AC voltmeter. The "limit" indication is 0.75 V, so analog meters must have an accurate low-voltage scale. The Simpson 250 and Sanwa SH-63Trd are examples of a passive VOM that is suitable. Nearly all battery operated digital multimeters that have a 2 V AC range are suitable. (See Fig. A)

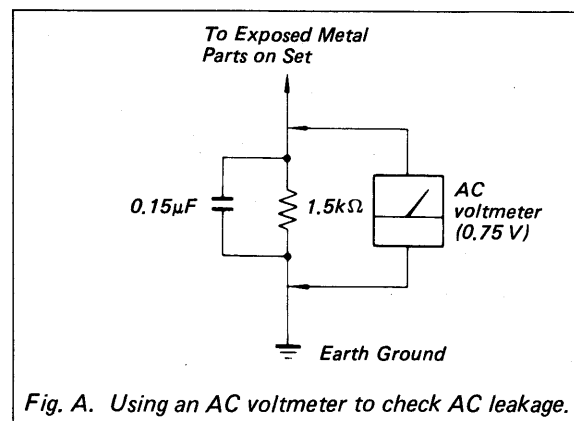
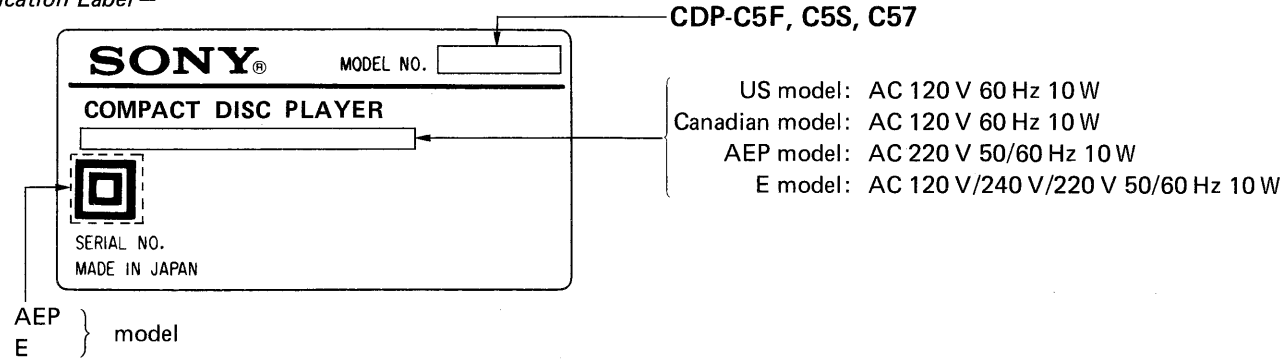


Fig. A. Using an AC voltmeter to check AC leakage.

**MODEL IDENTIFICATION**

— Specification Label —



**SECTION 1  
OUTLINE**

**1-1. LOCATION AND FUNCTION OF CONTROLS**

**FRONT PANEL**

DISC SELECT buttons and indicators

Remote sensor

Disc compartment  
Contains up to 5 discs.

HEADPHONES jack and LEVEL (headphones level) control

POWER switch

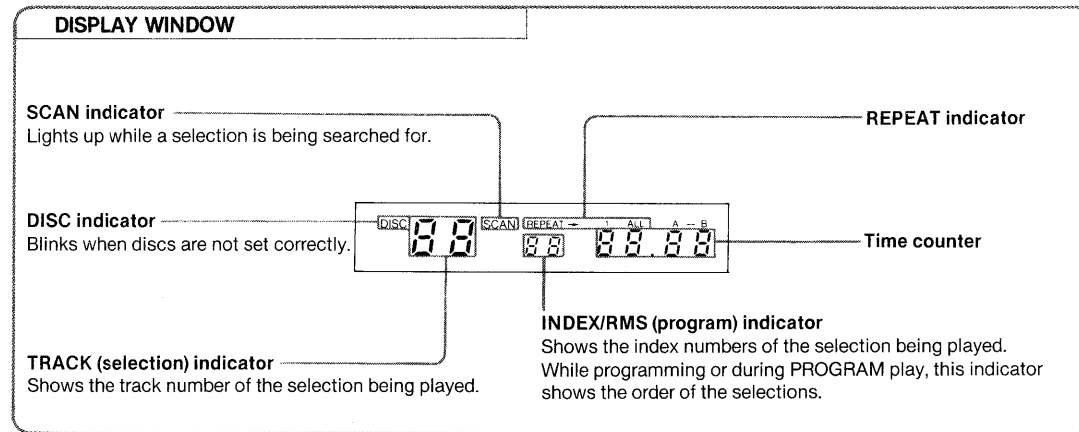
TIMER switch

**Mode indicators**  
 ▶ PLAY: Lights up while playing and during pause.  
 || PAUSE: Lights up during pause.  
 ■ SHUFFLE: Lights up during SHUFFLE play.  
 ■ RMS\* (program) indicator: Lights up while programming and during PROGRAM play.

AUTO PAUSE switch

SHUFFLE play button

DISC PLAY MODE buttons



DISC SKIP button

**RANDOM MUSIC SENSOR buttons**  
 PROGRAM button  
 CHECK program button  
 CLEAR program button

**Function buttons**  
 ▶ (play) button  
 || (pause) button  
 ◀▶ (AMS \*\*/RMS \*) buttons  
 ◀▶ (manual search) buttons  
 ■ (stop) button

OPEN/CLOSE button

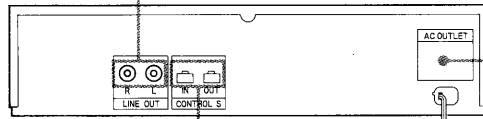
TIME button

REPEAT (repeat play) button

\* RMS is an abbreviation of Random Music Sensor.  
 \*\* AMS is an abbreviation of Automatic Music Sensor.

**1-2. AUTO PAUSE****DESCRIPTION ON REAR PANEL****LINE OUT (audio output) jacks**

Connect these jacks to the CD or auxiliary input jacks of an amplifier.

**CONTROL S IN/OUT connectors (4-pin)**

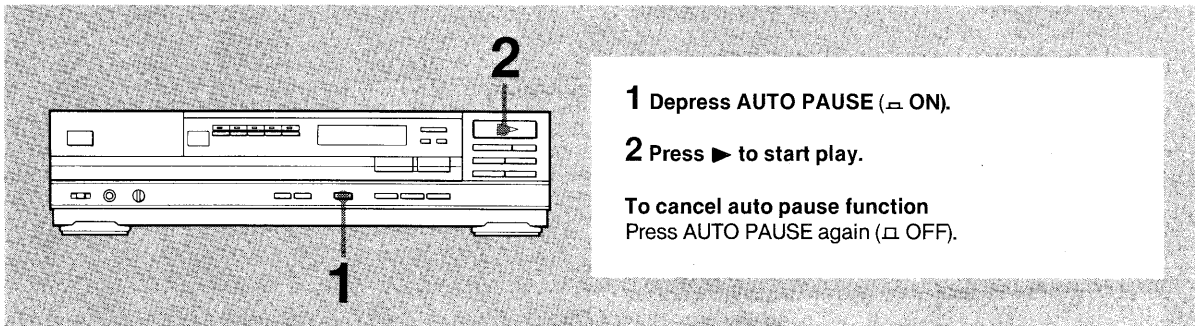
When the CONTROL S IN connector is connected to the CONTROL S OUT connector of an audio equipment with CONTROL S connectors, the remote sensor of the connected equipment can be used to receive the commands emitted from the remote commander of both the CDP-C5F and the connected equipment.

The CONTROL S OUT connector is to be connected to the CONTROL S IN connector of another audio equipment.


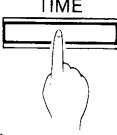
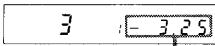
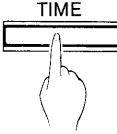

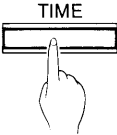

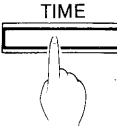
**AC outlet (unswitched)**  
Used to power other audio components whose power consumption is less than 100 watts.

**AC power cord**

Using the auto pause function, the CD player enters the pause mode automatically each time a selection has been played. This function is useful for recording.



During play, the display shows one of the following types of information.  
The display modes can be switched each time the TIME button is pressed.

|   | Normal play (MULTI, SINGLE)  | PROGRAM, SHUFFLE play |
|---|--|-----------------------|
| During play   | <b>1</b><br>Track No.  Elapsed playing time of the selection<br>Index No. or program No. |                       |
|    | <b>2</b><br><br>Remaining time of the selection  |                       |
|    | <b>3</b><br><br>Elapsed time of the disc  | Returns to 1.         |
|   | <b>4</b><br><br>Remaining time of the disc  |                       |
|  | Returns to 1.  |                       |

The TIME button can also be used while the player is not playing the disc to get the following information.

| Before playing (standby)  | While choosing a selection   | Before performing program play (standby)             |
|---|--|--|
| 0   | 6 4 5 0<br>↑<br>Playing time of the selection  | R 3 0  |
| ↓<br>TIME<br>↑<br>while being pressed   | ↓<br>TIME<br>↑<br>while being pressed  | ↓<br>TIME<br>↑<br>while being pressed                |
| 1 3 5 3 2 9<br>↑            ↑<br>Total number of selections on the disc    Total playing time of the disc | 6 3 0 1 5<br>↑<br>Total time counted from the beginning of the disc to the end of the selection being chosen | 3 4 2 3 9<br>↑<br>Total playing time of the program* |

\* This information appears when a track number of 20 or less are programmed. If a track number of 21 or higher is programmed, the display shows "----".

**To get information on another disc in MULTI play mode**  
Press the DISC SELECT button corresponding to the disc to be checked so that the DISC SELECT indicator of the disc lights in green. Use then the TIME button.

- Notes**
- Information on the time can be displayed only when the disc compartment is closed.
  - If you have programmed selections with the disc compartment open, information on the time is displayed only after the compartment is closed and the player has read the contents of the disc(s).
  - In the MULTI play mode, the disc compartment may rotate when the TIME button is activated so that the player can read the disc contents.

**NOTES ON HANDLING THE OPTICAL PICK-UP BLOCK OR BASE UNIT**

The laser diode in the optical pick-up block may suffer electrostatic breakdown because of the potential difference generated by the charged electrostatic load, etc. on clothing and the human body. During repair, pay attention to electrostatic breakdown and also use the procedure in the printed matter which is included in the repair parts. The flexible board is easily damaged and should be handled with care.

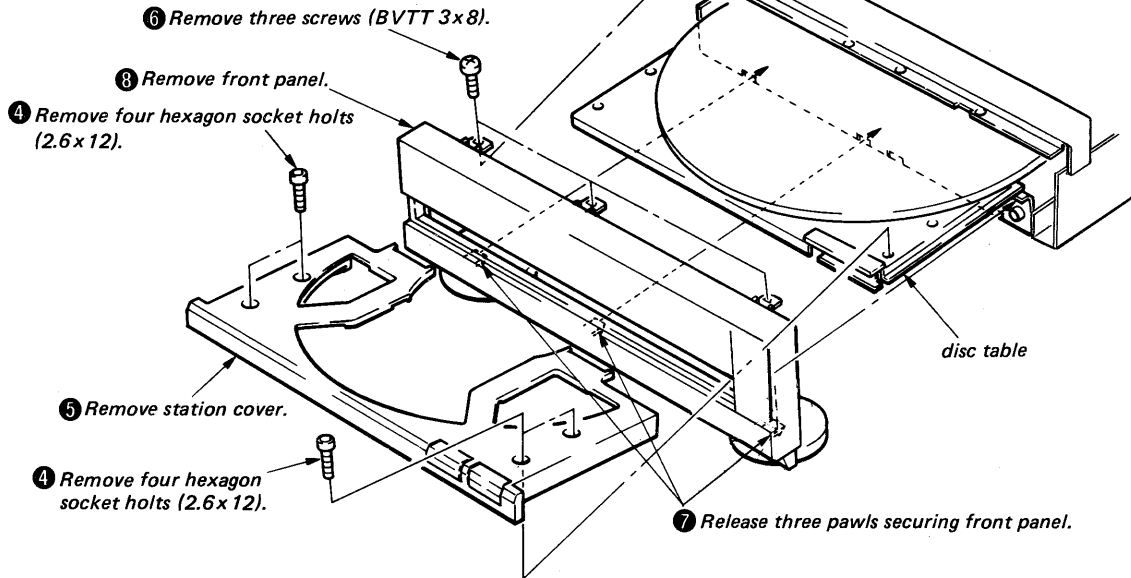
## SECTION 2 DISASSEMBLY

Note: Follow the disassembly procedure in the numerical order given.

### FRONT PANEL

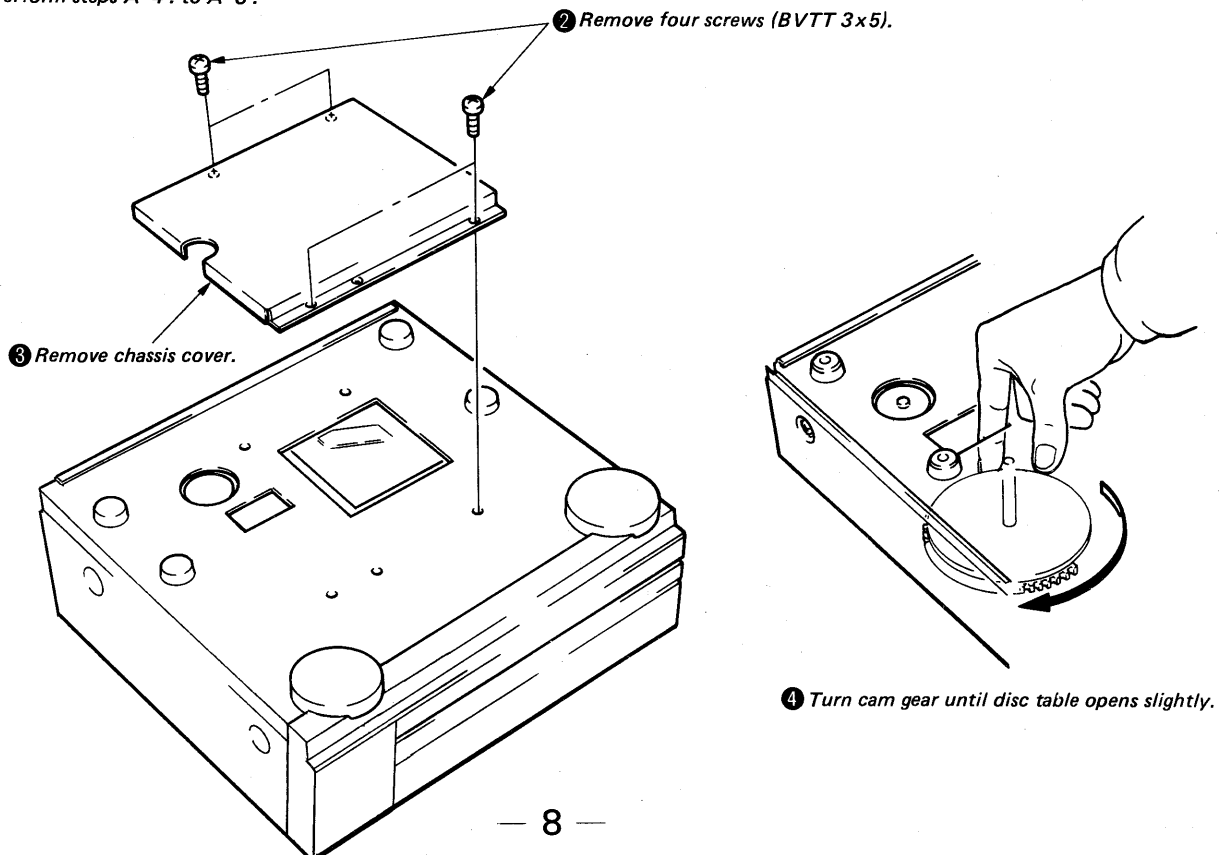
A. When disc table opens automatically by pressing OPEN/CLOSE button;

- 1 Remove top cover.
- 2 Press POWER switch to turn the power on.
- 3 Press OPEN/CLOSE button to open disc table.



B. When disc table does not open even if OPEN/CLOSE button is pressed;

- 1 Remove top cover.
- 5 Pull disc table by hand and open.
- 6 Perform steps A- 4. to A- 8.



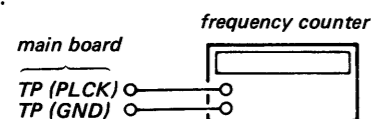
**SECTION 3  
ADJUSTMENTS**

**SETTING (FOR ADJUSTMENT)**

1. Turn RV506 and RV507 clockwise fully.
2. Switch on the power and open the disc table pressing OPEN/CLOSE button.
3. Switch off the power.
4. Put the test disc YEDS-18 (3-702-101-01) into the disc position.
5. Ground the test point CHECK MODE 1 on MAIN BOARD.
6. Switch on the power again, and ready to adjust.

**RF PLL Frequency Adjustment/Lock Frequency Check**

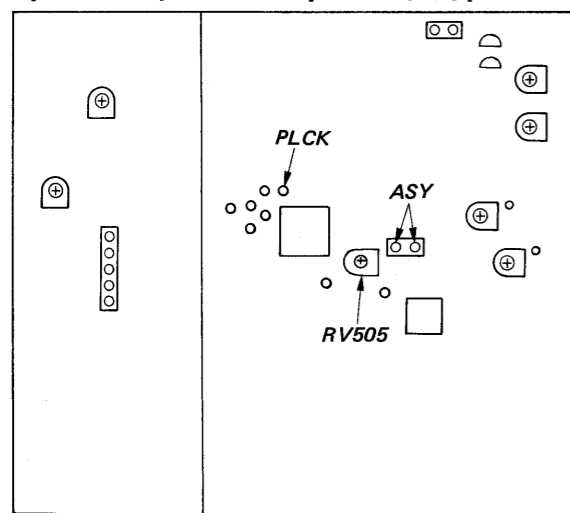
**Procedure:**



1. Ground test point TP (ASY).
2. Connect the frequency counter to the test points TP (PLCK) and TP (GND).
3. Turn POWER switch on.
4. Adjust RV505 so that the reading on the frequency counter is 4.3218 MHz  $\pm$ 30 kHz. (RF PLL frequency adjustment)
5. Remove the grounding wire from TP (ASY).
6. Put the disc (YEDS-18) in and press  $\triangleright$  button.
7. Confirm that the reading on the frequency counter is locked at 4.3218 MHz.

Adjustment Location: main board

[RF BOARD] [MAIN BOARD]

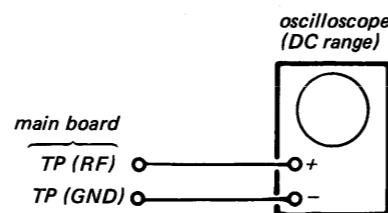


[COMPONENT SIDE]

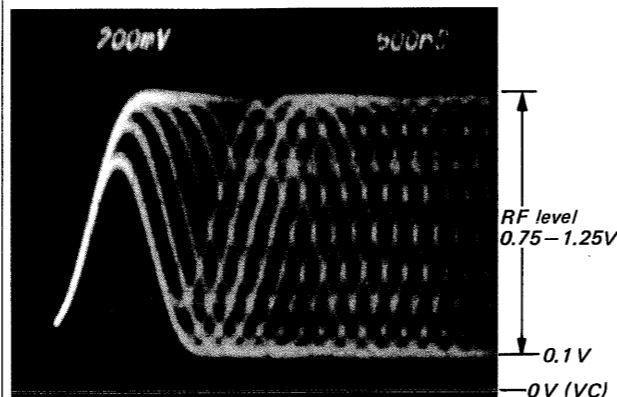
**Focus Bias Adjustment**

This adjustment should be made after replacing the Optical Pick-up Block.

**Procedure:**

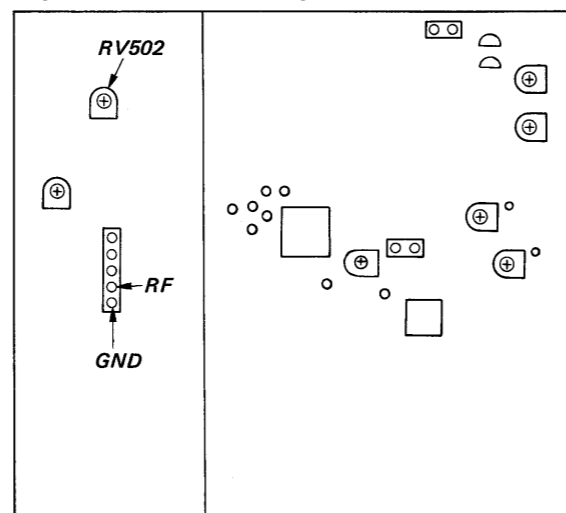


1. Connect oscilloscope to the test points TP (RF) and TP (GND).
2. Turn POWER switch on.
3. Put the disc (YEDS-1) in and press  $\triangleright$  button.
4. Adjust RV502 for an optimum waveform eye pattern. Optimum eye pattern means that shape "◇" can be clearly distinguished at the center of the waveform.



Adjustment Location: RF board

[RF BOARD] [MAIN BOARD]

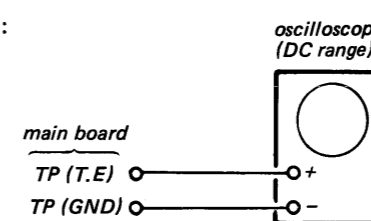


[COMPONENT SIDE]

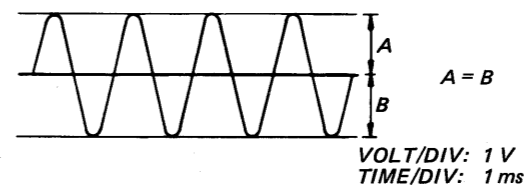
**E-F Balance Adjustment**

This adjustment should be made after replacing the Optical Pick-up Block.

**Procedure:**

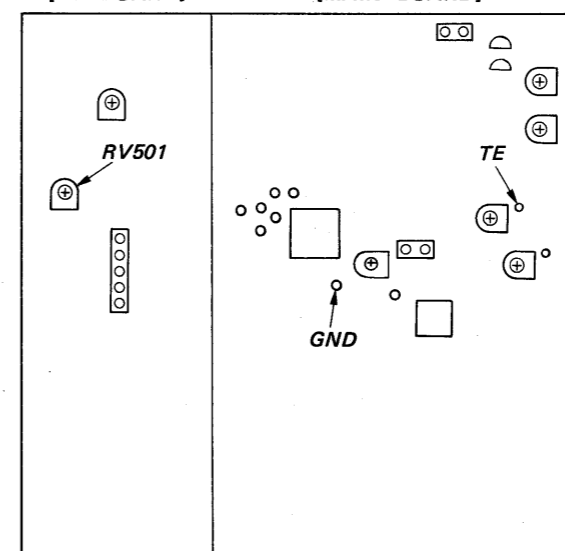


1. Connect the oscilloscope to the test points TP (T.E) and TP (GND).
2. Ground TP (ASY) to set an adjustment mode.
3. Turn POWER switch on.
4. Put the disc (YEDS-18) in and press  $\triangleright$  button.
5. Adjust RV501 so that the traverse waveform is symmetrical above and below.
6. After adjustment, cancel the adjustment mode.



Adjustment Location: main board, RF board

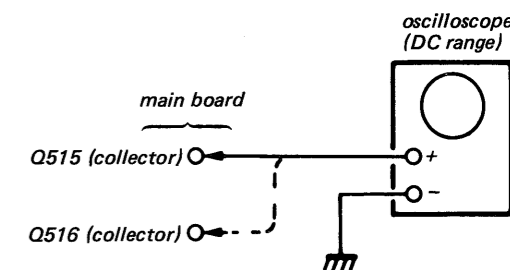
[RF BOARD] [MAIN BOARD]



[COMPONENT SIDE]

**SENSITIVITY ADJUSTMENT OF DISC SENSOR & DISC COUNT SENSOR**

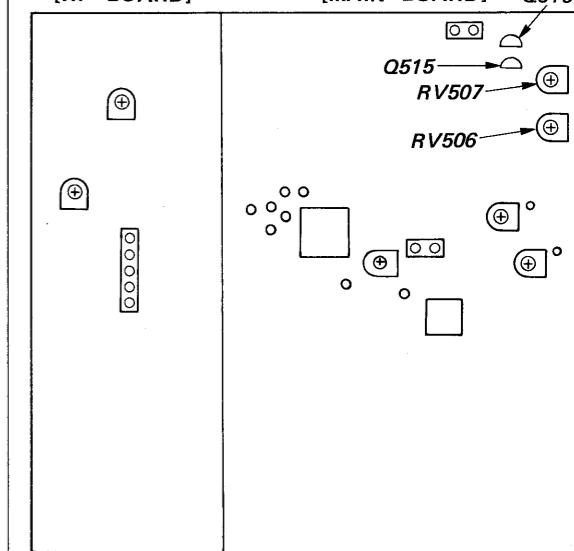
1. Open the disc table.
2. Press SINGLE button of DISC PLAY MODE buttons.
3. Connect the oscilloscope to the collector of Q515.
4. Check if the voltage at the collector of Q515 (disc count sensor amp) is more than 2.5 V, turning the disc table with DISC SKIP BUTTON.
5. If the specification above is not met, adjust RV506 so that the voltage will satisfy the specification level.
6. As to Q516, take the same procedures as Q515. To adjust the voltage, turn RV507.



•SPECIFICATION  
2.5 V more than

Adjustment Location: main board

[RF BOARD] [MAIN BOARD] Q516



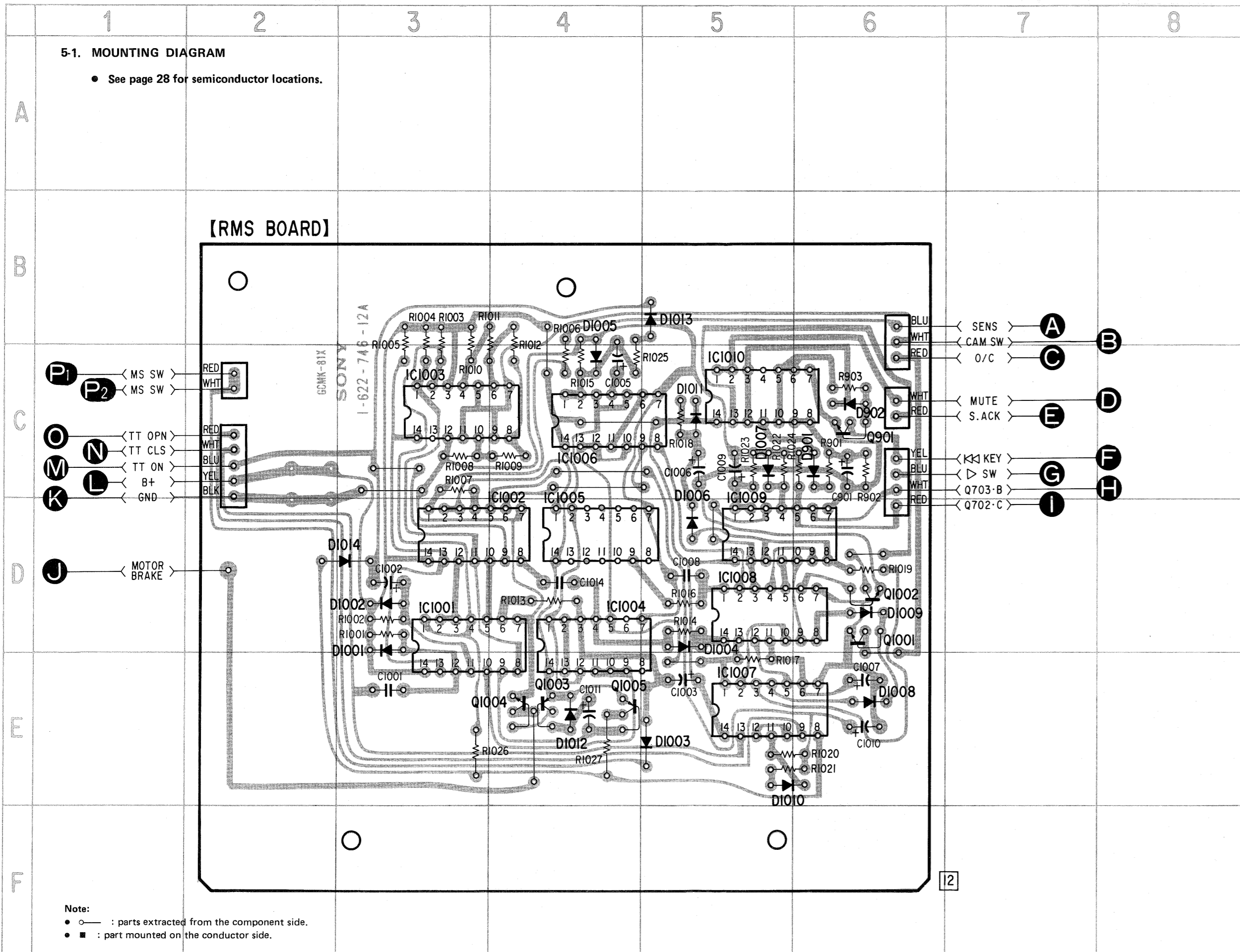
[COMPONENT SIDE]





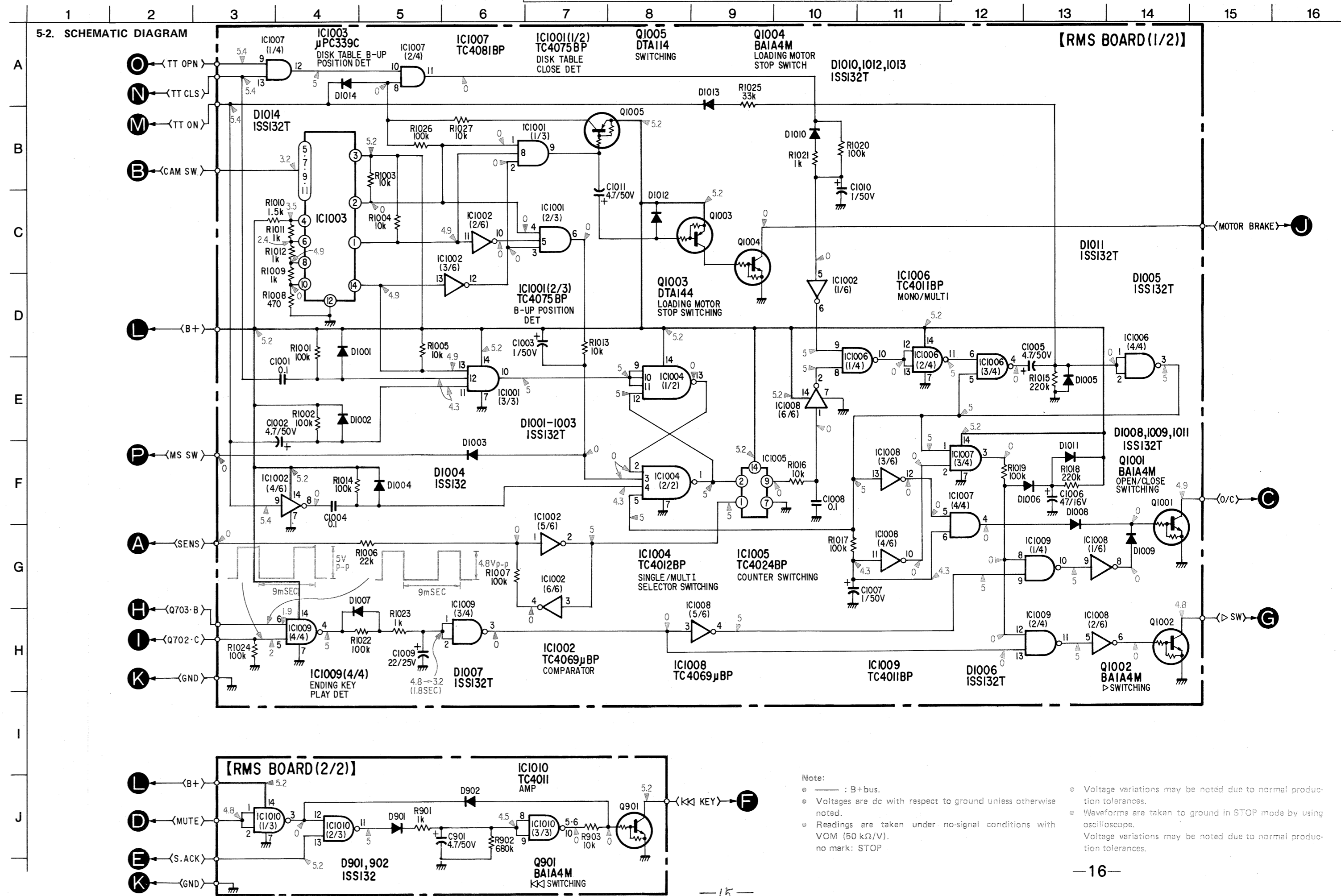
5-1. MOUNTING DIAGRAM

• See page 28 for semiconductor locations.



Note:  
 • ○ : parts extracted from the component side.  
 • ■ : part mounted on the conductor side.

5-2. SCHEMATIC DIAGRAM



Note:  
 ○ : +B bus.  
 ○ : Voltages are dc with respect to ground unless otherwise noted.  
 ○ : Readings are taken under no-signal conditions with VOM (50 kΩ/V).  
 no mark: STOP  
 ○ : Voltage variations may be noted due to normal production tolerances.  
 ○ : Waveforms are taken to ground in STOP mode by using oscilloscope.  
 Voltage variations may be noted due to normal production tolerances.





• IC BLOCK DIAGRAMS

Note on Schematic Diagram:

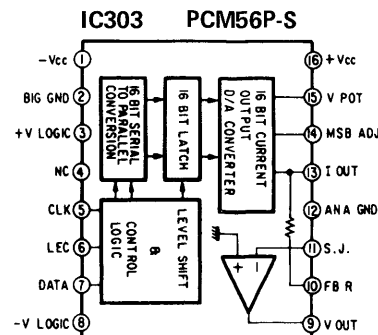
- All capacitors are in  $\mu\text{F}$  unless otherwise noted. pF:  $\mu\mu\text{F}$  50WV or less are not indicated except for electrolytics and tantalums.
- All resistors are in  $\Omega$  and  $1/4\text{W}$  or less unless otherwise specified.
- : nonflammable resistor.
- : B+ bus.
- : B- bus.
- : adjustment for repair.
- Voltages are dc with respect to ground unless otherwise noted.
- Readings are taken under no-signal conditions with a VOM (50 k $\Omega$ /V). no mark: STOP
- Voltage variations may be noted due to normal production tolerances.
- Waveforms are taken to ground in STOP mode by using oscilloscope.
- Voltage variations may be noted due to normal production tolerances.

• Switches:

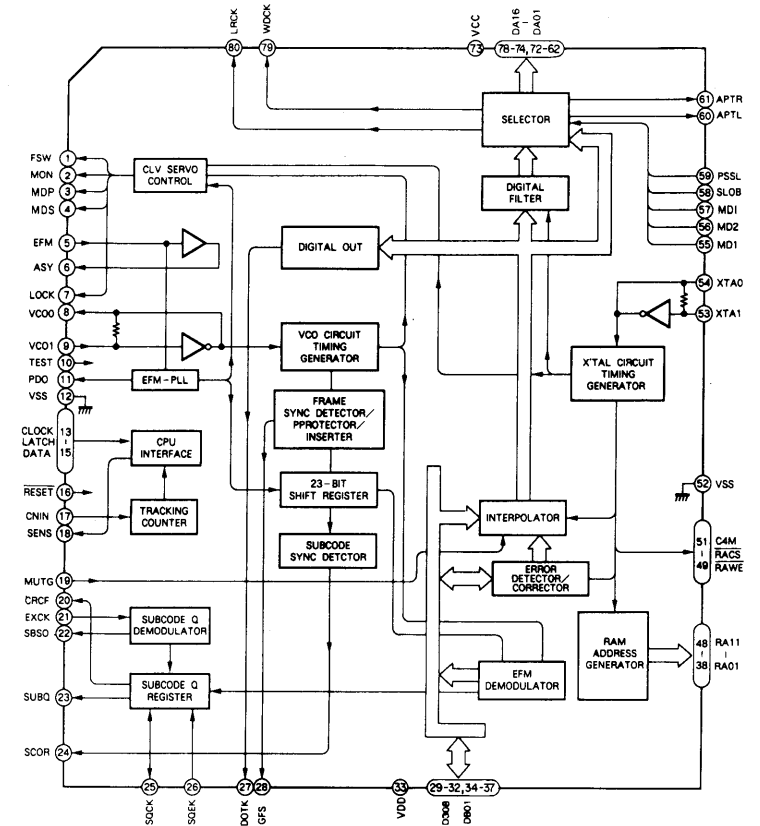
| Ref. No. | Switch                       | Position |
|----------|------------------------------|----------|
| S1       | ARM MOVED                    | UP       |
| S002     | TIMER                        | OFF      |
| S10      | LIMIT                        | ON       |
| S301     | POWER                        | OFF      |
| S701     | 1                            | OFF      |
| S702     | 2                            | OFF      |
| S703     | 3                            | OFF      |
| S704     | 4                            | OFF      |
| S705     | 5                            | OFF      |
| S706     | ■                            | OFF      |
| S707     | ■                            | OFF      |
| S708     | ◀◀                           | OFF      |
| S709     | ▶▶                           | OFF      |
| S710     | ▷                            | OFF      |
| S711     | ◀◀                           | OFF      |
| S712     | ◀◀                           | OFF      |
| S713     | CHECK                        | OFF      |
| S714     | CLEAR                        | OFF      |
| S715     | PROGLAM                      | OFF      |
| S716     | SHUFFLE                      | OFF      |
| S717     | REPEAT                       | OFF      |
| S718     | TIME                         | OFF      |
| S719     | OPEN/CLOSE                   | CLOSE    |
| S720     | DISK SKIP                    | OFF      |
| S721     | DISK PLAY MODE               | OFF      |
| VS1      | E model:<br>VOLTAGE SELECTOR | 120V     |

Note: The components identified by shading and mark are critical for safety. Replace only with part number specified.

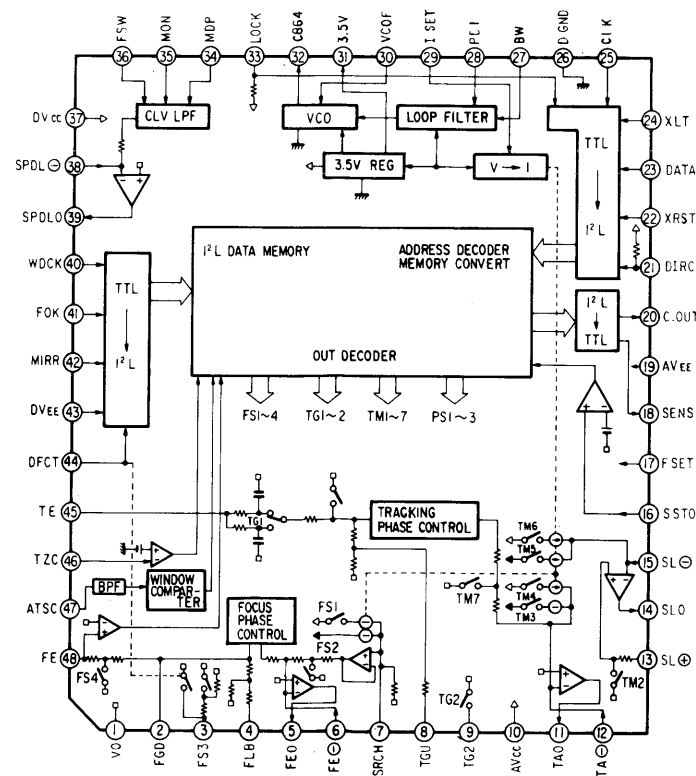
Note: Les composants identifiés par une trame et une marque sont critiques pour la sécurité. Ne les remplacer que par une pièce portant le numéro spécifié.



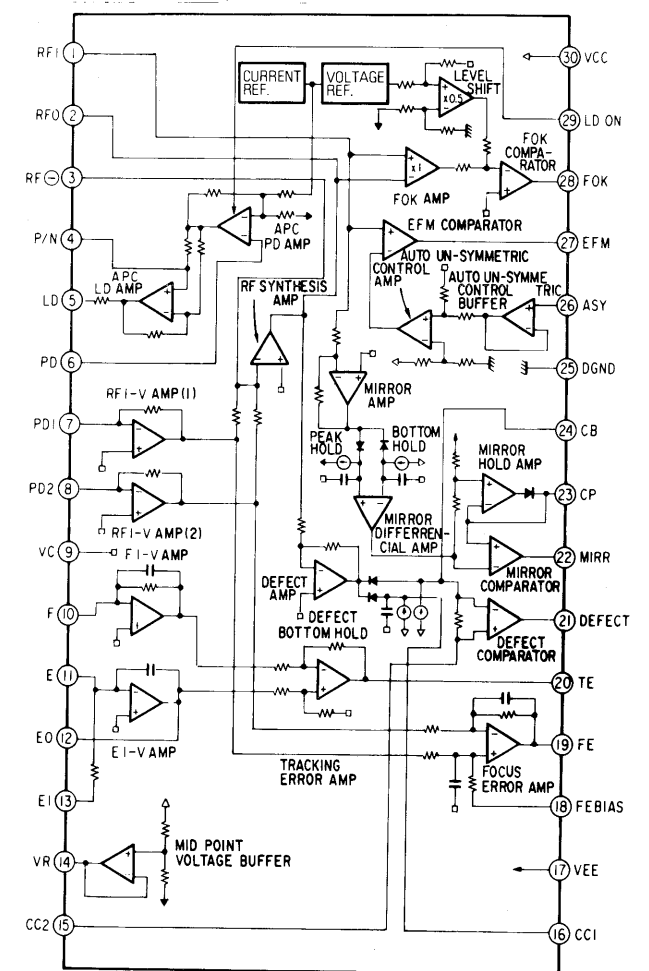
IC501 CXD1135Q



IC502 CXA1082Q



IC504 CXA1081M



● SEMICONDUCTOR LOCATIONS

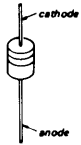
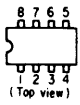
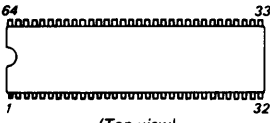
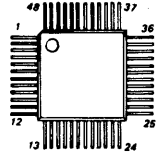

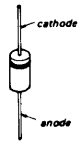
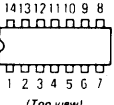
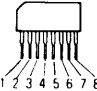
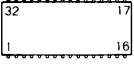

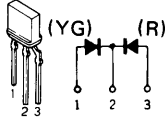
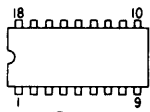
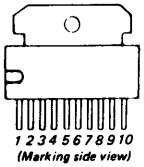
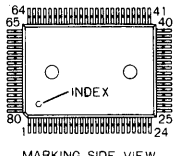
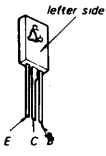
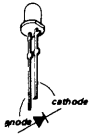
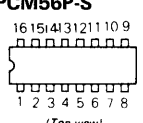
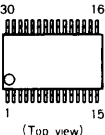


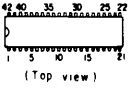
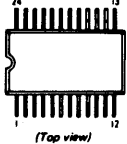

[MAIN BOARD]

| Ref. No. | Location | Ref. No. | Location | Ref. No. | Location |
|----------|----------|----------|----------|----------|----------|
| D301     | B-21     | D711     | J-12     | Q302     | B-19     |
| D302     | B-21     | D712     | J-12     | Q303     | B-20     |
| D303     | B-21     | D713     | J-11     | Q304     | B-20     |
| D304     | B-22     | D714     | J-11     | Q305     | B-20     |
| D305     | C-21     | D715     | F-11     | Q306     | C-20     |
| D306     | C-21     | D716     | F-12     | Q307     | D-21     |
| D307     | C-20     | D717     | F-12     | Q501     | F-24     |
| D308     | D-22     | D718     | K-13     | Q502     | E-19     |
| D309     | D-19     | D719     | K-13     | Q503     | D-17     |
| D310     | C-20     |          |          | Q508     | H-20     |
| D311     | C-20     | IC301    | C-20     | Q510     | J-20     |
| D312     | C-22     | IC302    | C-17     | Q511     | J-21     |
| D313     | C-22     | IC303    | D-16     | Q513     | I-20     |
| D314     | D-20     | IC304    | B-14     | Q514     | J-21     |
| D315     | D-21     | IC501    | F-17     | Q515     | J-21     |
| D316     | B-19     | IC502    | E-20     | Q516     | J-21     |
| D317     | K-19     | IC503    | E-16     | Q517     | D-18     |
| D318     | J-21     | IC504    | E-24     | Q518     | F-27     |
| D319     | J-18     | IC505    | I-16     | Q519     | J-26     |
| D320     | I-20     | IC506    | E-21     | Q520     | J-27     |
| D321     | I-21     | IC507    | E-21     | Q521     | I-20     |
| D322     | J-21     | IC508    | H-16     | Q701     | K-11     |
| D701     | K-13     | IC509    | I-19     | Q702     | K-11     |
| D702     | K-12     | IC701    | J-8      | Q703     | J-13     |
| D703     | K-11     | IC702    | J-9      | Q704     | J-13     |
| D704     | K-10     | IC703    | J-14     | Q705     | J-12     |
| D705     | J-13     |          |          | Q706     | J-11     |
| D706     | J-12     | Q101     | B-16     | Q707     | J-11     |
| D707     | J-12     | Q102     | B-16     | Q708     | K-14     |
| D708     | J-11     | Q201     | B-17     | Q709     | K-13     |
| D709     | J-10     | Q202     | B-17     |          |          |
| D710     | J-13     | Q301     | B-19     |          |          |

[RMS BOARD]

| Ref. No. | Location | Ref. No. | Location | Ref. No. | Location |
|----------|----------|----------|----------|----------|----------|
| D901     | C-6      | D1011    | C-5      | IC1008   | D-5      |
| D902     | C-6      | D1012    | E-4      | IC1009   | D-5      |
| D1001    | D-3      | D1013    | B-5      | IC1010   | C-5      |
| D1002    | D-3      | D1014    | D-3      |          |          |
| D1003    | E-5      |          |          | Q901     | C-6      |
| D1004    | D-5      | IC1001   | D-3      | Q1001    | D-6      |
| D1005    | B-4      | IC1002   | D-4      | Q1002    | D-6      |
| D1006    | C-5      | IC1003   | C-3      | Q1003    | E-4      |
| D1007    | C-5      | IC1004   | D-4      | Q1004    | E-4      |
| D1008    | E-6      | IC1005   | D-4      | Q1005    | E-4      |
| D1009    | D-6      | IC1006   | C-4      |          |          |
| D1010    | E-5      | IC1007   | E-5      |          |          |

● Semiconductor Lead Layouts

|   |   |  |  |  |
|---|---|--|--|--|
| <p><b>HZS6B1L</b></p>                  | <p><b>CXA4559P<br/>LC4969</b></p>  <p>(Top view)</p>   | <p><b>M50941-411SP</b></p>  <p>(Top view)</p>     | <p><b>CXA-1082AQ</b></p>   | <p><b>2SB1094-L</b></p>                                   |
| <p><b>10E2N<br/>1SS132</b></p>         | <p><b>M4069UBP<br/>TC4011BP<br/>TC4012BP<br/>TC4024BP<br/>TC4069μBP<br/>TC4075BP<br/>TC4081BP<br/>μPC339C</b></p>  <p>(Top view)</p> | <p><b>STA341M</b></p>                             | <p><b>M51565P</b></p>    | <p><b>2SD774</b></p>                                      |
| <p><b>VRPG5341K</b></p>               | <p><b>LC6528C-3175</b></p>  <p>(Top view)</p>   | <p><b>TA7256P</b></p>  <p>(Marking side view)</p> | <p><b>CXD1135Q</b></p>  <p>MARKING SIDE VIEW</p>                         | <p><b>2SB731<br/>2SD809</b></p>  <p>letter side</p>       |
| <p><b>GL-5PG22<br/>GL-5HY22</b></p>  | <p><b>M5290P<br/>PCM56P-S</b></p>  <p>(Top view)</p>   | <p><b>CXA1081M</b></p>  <p>(Top view)</p>        | <p><b>2SB1013<br/>2SD1387</b></p>                                      | <p><b>2SA1175<br/>2SC3623-L</b></p>  <p>letter side</p> |
|   | <p><b>MSM6404A-180RS</b></p>  <p>(Top view)</p>  | <p><b>LC3516AML-15</b></p>  <p>(Top view)</p>   | <p><b>2SC3402<br/>2SC3399<br/>2SA1346<br/>2SA1348<br/>2SC3400</b></p>  |  |

## SECTION 6 EXPLODED VIEWS AND PARTS LIST

**NOTE:**

• The mechanical parts with no reference number in the exploded views are not supplied.

• Items marked " \* " are not stocked since they are seldom required for routine service. Some delay should be anticipated when ordering these items.

• The construction parts of an assembled part are indicated with a collation number in the remark column.

• Color Indication of Appearance Parts  
Example: (RED) ..... KNOB, BALANCE

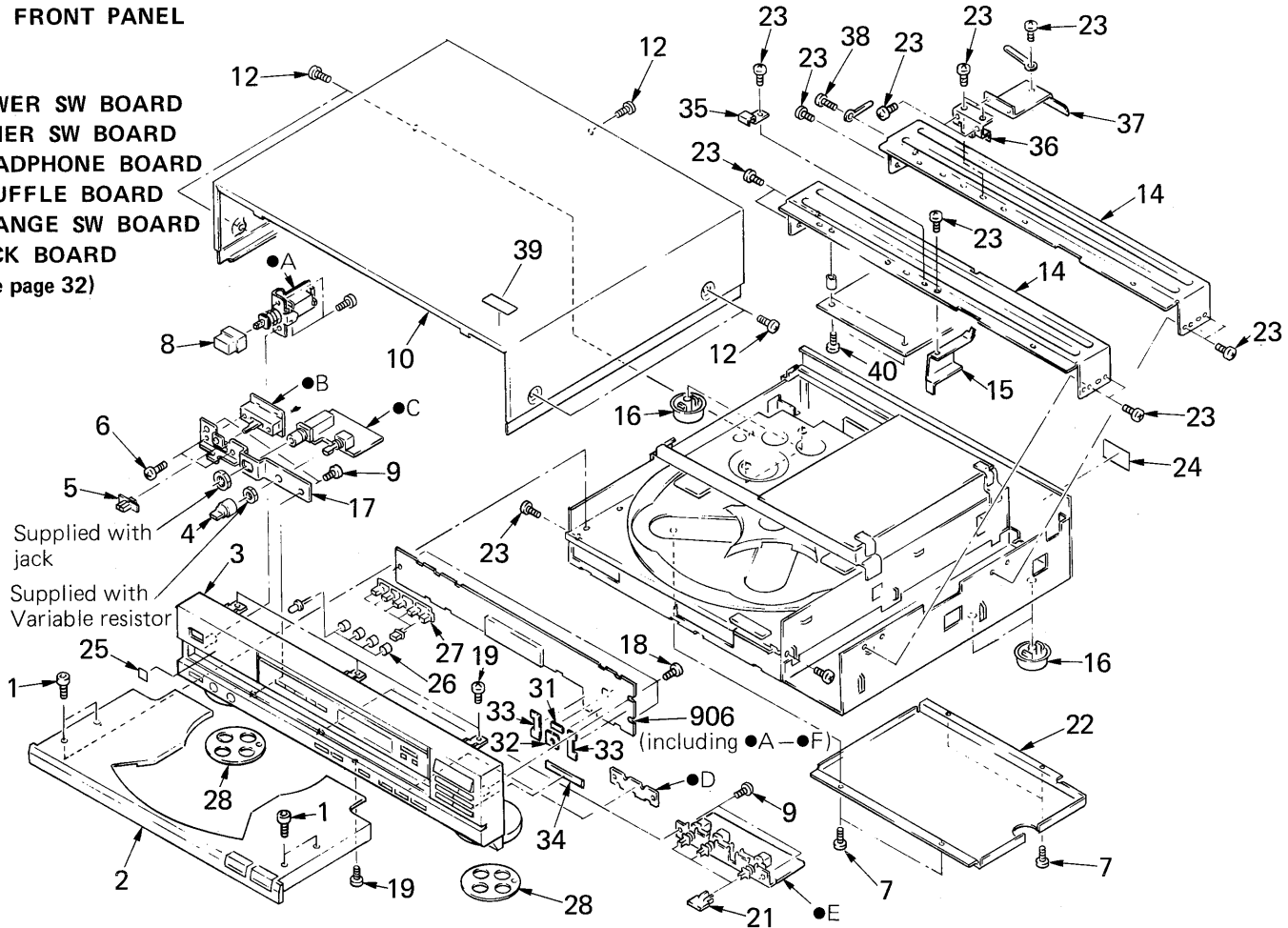
Cabinet's Color      Parts' Color

The components identified by shading and mark **▲** are critical for safety. Replace only with part number specified.

Les composants identifiés par une trame et une marque **▲** sont critiques pour la sécurité. Ne les remplacer que par une pièce portant le numéro spécifié.

### 6-1. FRONT PANEL

- A: POWER SW BOARD
  - B: TIMER SW BOARD
  - C: HEADPHONE BOARD
  - D: SHUFFLE BOARD
  - E: CHANGE SW BOARD
  - F: JACK BOARD
- (See page 32)

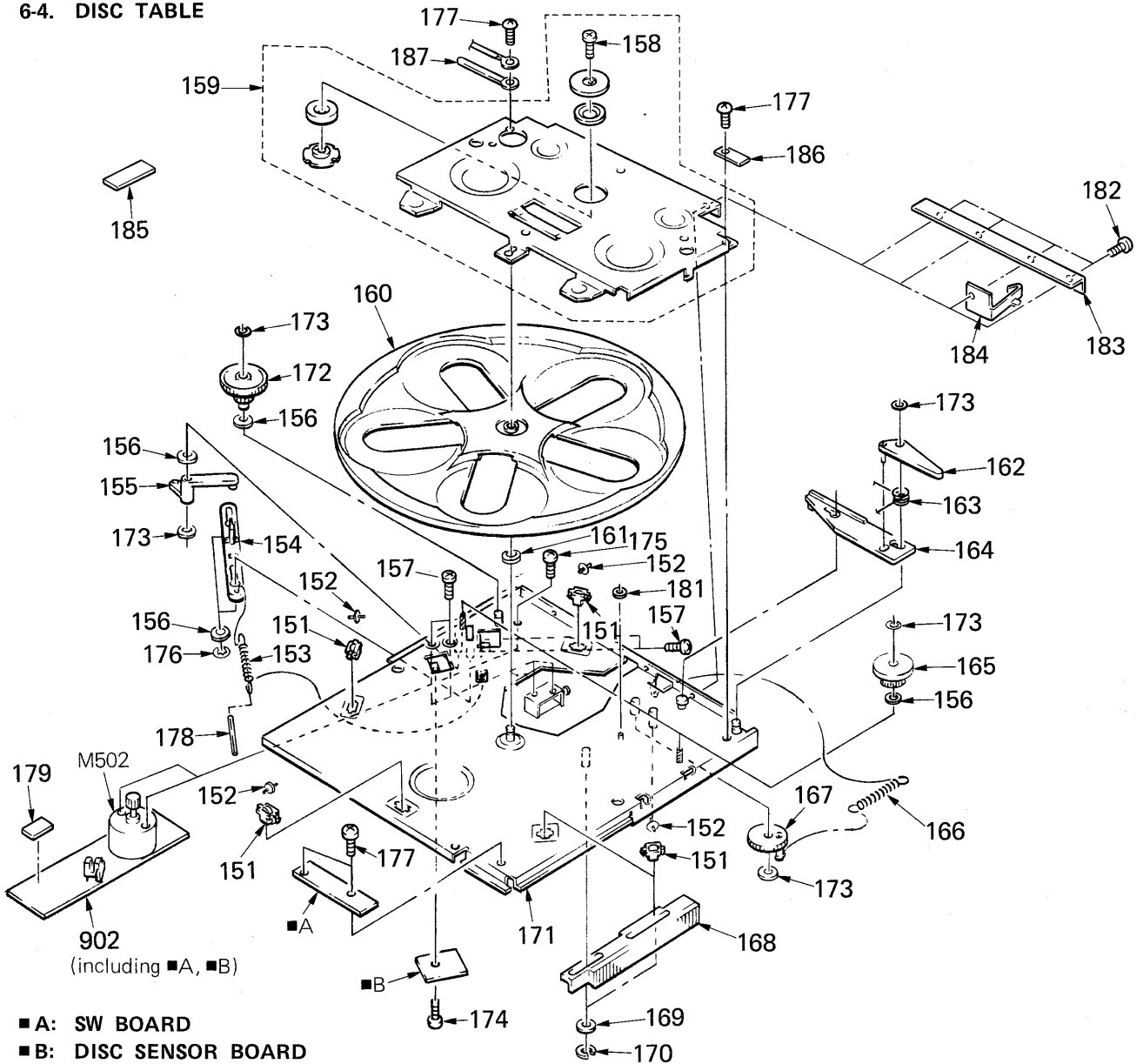


| No. | Part No.      | Description                           | Remarks | No. | Part No.      | Description  | Remarks |
|-----|---------------|---------------------------------------|---------|-----|---------------|--|---------|
| 1   | 7-683-415-05  | BOLT, HEXAGON SOCKET 2.6X12           |         | 21  | 4-919-409-01  | BUTTON, SQUARE   |         |
| 2   | X-4919-402-1  | (C5S)....COVER ASSY, STATION          |         | 22  | *4-919-453-01 | COVER, CHASSIS   |         |
|     | X-4919-404-1  | (C57)....COVER ASSY, STATION          |         | 23  | 7-685-870-09  | SCREW +BVTT 3X5 (S)  |         |
|     | X-4919-407-1  | (C5F)....COVER ASSY, STATION          |         | 24  | *4-885-838-00 | (AEP,E)...LABEL, CLASS 1                                   |         |
| 3   | X-4919-401-1  | (C5S).....PANEL ASSY, FRONT           |         | 25  | 3-703-713-41  | STICKER, SONY SYMBOL (10)                                  |         |
|     | X-4919-403-1  | (C57).....PANEL ASSY, FRONT           |         | 26  | *4-901-657-11 | SPACER (A), LED  |         |
|     | X-4919-405-1  | (C5F:US,Canadian)...PANEL ASSY, FRONT |         | 27  | *4-919-445-01 | HOLDER (B), LED  |         |
|     | X-4919-406-1  | (C5F:AEP,E).....PANEL ASSY, FRONT     |         | 28  | 4-917-236-01  | FELT, FOOT   |         |
| 4   | 3-304-929-11  | KNOB, HEADPHONE                       |         | 31  | *4-919-495-01 | CUSHION (A)  |         |
| 5   | 4-887-131-00  | (C5F)...KNOB, SLIDE SWITCH            |         | 32  | *4-919-497-01 | CUSHION (B)  |         |
| 6   | 7-621-775-10  | (EXCEPT C5S)...SCREW +B 2.6X4         |         | 33  | *4-919-496-01 | CUSHION (C)  |         |
| 7   | 7-685-870-01  | SCREW +BVTT 3X5 (S)                   |         | 34  | *4-921-020-02 | CUSHION (PANEL)  |         |
| 8   | 4-917-460-01  | KNOB, POWER                           |         | 35  | *4-919-486-01 | RETAINER   |         |
| 9   | 7-685-146-14  | SCREW +P 3X8 TYPE2 NON-SLIT           |         | 36  | *4-921-014-01 | REINFORCEMENT (SB)   |         |
| 10  | 4-919-406-01  | CASE                                  |         | 37  | *4-921-016-01 | REINFORCEMENT, CHUCKING BLOCK (BU-5 only) Refer to page 34 |         |
| 12  | 7-682-147-09  | SCREW, M3 CASE                        |         | 38  | 7-685-750-09  | SCREW +PTT 3X5 (S)   | (●)     |
| 14  | *4-919-405-01 | REINFORCEMENT (L)                     |         | 39  | *4-919-488-01 | LABEL, CAUTION   |         |
| 15  | *4-919-474-01 | REINFORCEMENT (F)                     |         | 40  | 7-685-874-09  | BVTT 3X12  |         |
| 16  | X-3701-069-0  | FOOT ASSY, M.F                        |         | 906 | *A-4655-039-A | (C5F)...MOUNTED PCB, INDICATION                            |         |
| 17  | *4-919-415-01 | BRACKET, FRONT PC BOARD               |         |     | *A-4655-042-A | (C57)...MOUNTED PCB, INDICATION                            |         |
| 18  | 7-685-133-19  | SCREW +P 2.6X6 TYPE2 SLIT             |         |     | *A-4655-043-A | (C5S)...MOUNTED PCB, INDICATION                            |         |
| 19  | 7-682-148-01  | SCREW +BVTT 3X8 (S)                   |         |     |               |  |         |



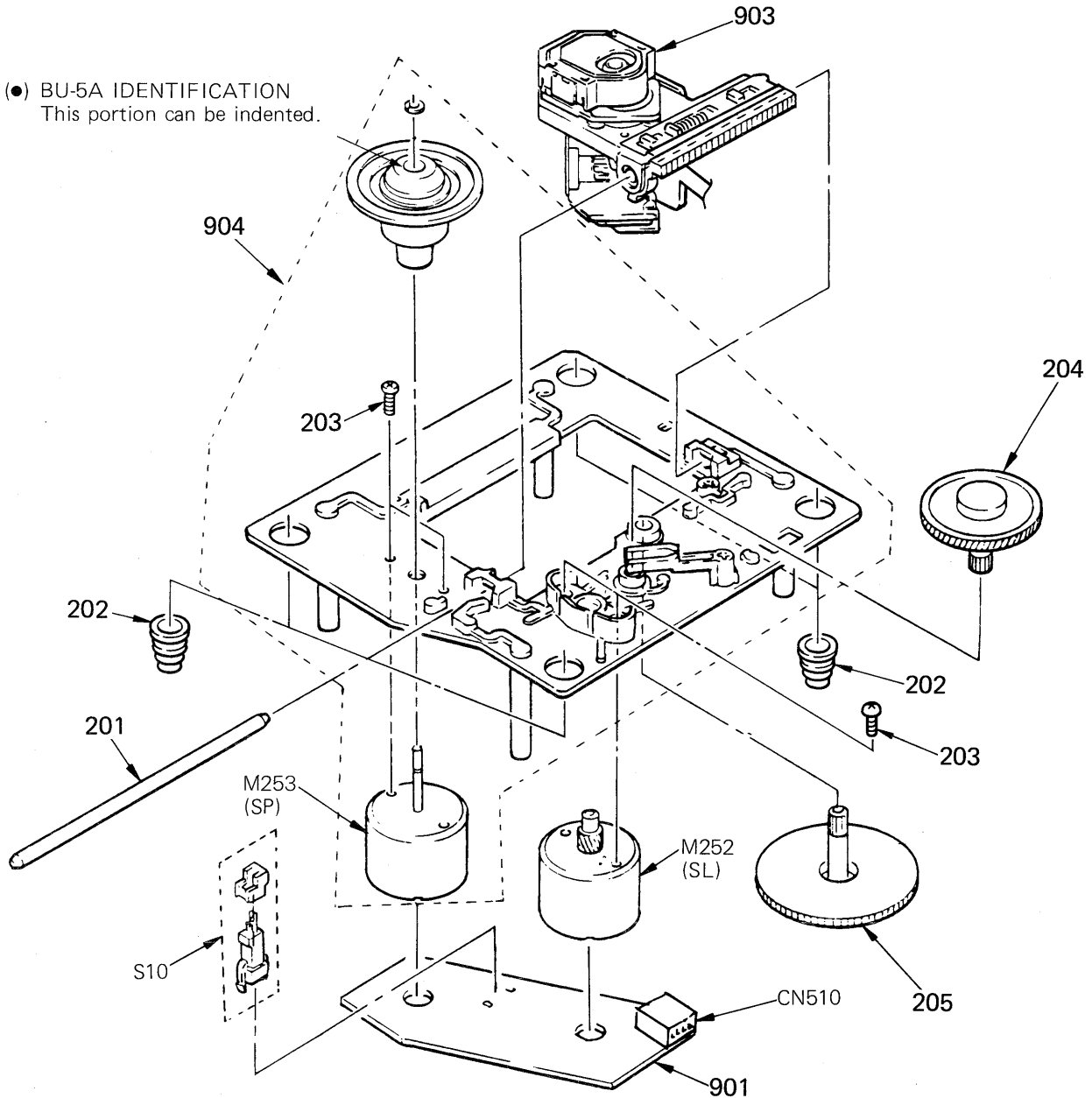


## 6-4. DISC TABLE



| No. | Part No.      | Description                    | Remarks         | No.  | Part No.      | Description                | Remarks |
|-----|---------------|--------------------------------|-----------------|------|---------------|----------------------------|---------|
| 151 | 4-919-419-01  | HOLDER, ROLLER                 |                 | 170  | 7-624-106-04  | STOP RING 3.0, TYPE -E     |         |
| 152 | *X-4919-418-1 | ROLLER (T) ASSY                |                 | 171  | *X-4919-412-1 | BASE ASSY, STATION         |         |
| 153 | 4-919-421-01  | SPRING, TENSION                |                 | 172  | 4-915-463-01  | GEAR (A)                   |         |
| 154 | 4-919-451-01  | SLIDER (ST)                    |                 | 173  | 3-558-708-21  | WASHER, STOPPER            |         |
| 155 | 4-919-416-01  | LEVER (ST)                     |                 | 174  | 7-682-147-01  | SCREW, S TIGHT, +PTTWH 3X6 |         |
| 156 | 3-701-439-21  | WASHER                         |                 | 175  | 7-621-775-08  | SCREW +B 2.6X3             |         |
| 157 | 7-682-545-09  | SCREW +B 3X4                   |                 | 176  | 7-624-104-04  | STOP RING 2.0, TYPE -E     |         |
| 158 | 7-685-132-19  | SCREW +P 2.6X5 TYPE 2 NON-SLIT |                 | 177  | 7-685-870-09  | SCREW +BVTT 3X5 (S)        |         |
| 159 | A-4681-008-A  | CHUCKING ASSY (BU-5)           | Refer to 158    | 178  | *4-921-008-01 | CUSHION                    |         |
|     | A-4681-012-A  | CHUCKING ASSY (BU-5A)          | page 34.(●) 158 | 179  | *4-919-489-01 | CUSHION (PM)               |         |
| 160 | 4-918-028-11  | STATION, ROTARY                |                 | 180  | 7-685-870-09  | SCREW +BVTT 3X5 (S)        |         |
| 161 | 3-701-443-21  | WASHER, 5 (t=0.5)              |                 | 181  | *4-921-019-01 | SPACER (ST)                |         |
| 162 | 4-919-418-01  | LEVER (S)                      |                 | 182  | 7-682-148-01  | SCREW +BVTT 3X8 (S)        |         |
| 163 | 4-919-420-01  | SPRING                         |                 | 183  | 4-919-491-01  | REINFORCEMENT (S)          |         |
| 164 | 4-919-417-01  | SLIDER (S)                     |                 | 184  | *4-921-006-01 | SPRING                     |         |
| 165 | 4-915-460-01  | GEAR (B)                       |                 | 185  | 3-831-441-XX  | CUSHION (B), CABINET       |         |
| 166 | 4-910-429-01  | SPRING, TENSION (LIMITER GEAR) |                 | 186  | *4-921-013-01 | NUT, PLATE                 |         |
| 167 | 4-910-401-01  | GEAR, LIMITER                  |                 | 187  | 3-703-150-11  | CLAMP                      |         |
| 168 | 4-919-450-01  | RACK                           |                 | 902  | *1-621-921-11 | PC BOARD, TRAY             |         |
| 169 | 7-688-004-11  | W 4, MIDDLE                    |                 | M502 | X-4919-420-1  | MOTOR ASSY, TURNTABLE      |         |

## 6-5. BASE UNIT (BU-5) (BU-5A)



● BU-5A IDENTIFICATION  
This portion can be indented.

The components identified by shading and mark ▲ are critical for safety. Replace only with part number specified.

Les composants identifiés par une trame et une marque ▲ sont critiques pour la sécurité. Ne les remplacer que par une pièce portant le numéro spécifié.

| No. | Part No.     | Description        |
|-----|--------------|--------------------|
| 201 | 4-917-565-01 | SHAFT, SLED        |
| 202 | 4-917-562-01 | INSULATOR          |
| 203 | 7-621-255-15 | SCREW +P 2X3       |
| 204 | 4-917-567-01 | GEAR (M)           |
| 205 | 4-917-564-01 | GEAR (P), FLATNESS |

| Remarks | No.           | Part No.       | Description                    | Remarks |
|---------|---------------|----------------|--------------------------------|---------|
|         | 901           | *1-620-097-11  | PC BOARD, SL/SP MOTOR          |         |
|         | 903           | ▲ 8-848-062-01 | DEVICE, OPTICS (KSS-150A)      |         |
|         | 904           | X-4917-505-1   | (BU-5) ... BASE ASSY           |         |
|         |               | X-4917-523-1   | (BU-5A) .. BASE ASSY (●)       |         |
| CN510   | *1-564-720-31 |                | PIN, CONNECTOR (SMALL TYPE) 4P |         |
| M252    | X-4917-504-1  |                | MOTOR ASSY (SLED)              |         |
| S10     | 1-570-822-11  |                | SWITCH, LEAF                   |         |

**SECTION 7  
ELECTRICAL PARTS LIST**

**NOTE:**

- Items marked " \* " are not stocked since they are seldom required for routine service. Some delay should be anticipated when ordering these items.
- If there are two or more same circuits in a set such as a stereophonic machine, only typical circuit parts may be indicated and capacitors and resistors in other same circuits may be omitted.

**CAPACITORS:**

MF:μF, PF:μμF.

**RESISTORS**

- All resistors are in ohms.
- F : nonflammable

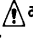
**COILS**


• MMH : mH, UH : μH

**SEMICONDUCTORS**

In each case, U : μ, for example:

UA...: μA..., UPA...: μPA..., UPC...: μPC,  
UPD...: μPD...

The components identified by shading and mark  are critical for safety. Replace only with part number specified.

Les composants identifiés par une trame et une marque  sont critiques pour la sécurité. Ne les remplacer que par une pièce portant le numéro spécifique.

**ELECTRICAL PARTS**

| Ref.No. | Part No.      | Description                                  |
|---------|---------------|--|
| 901     | *1-620-097-11 | PC BOARD, SL/SP MOTOR                        |
| 902     | *1-621-921-11 | PC BOARD, TRAY                               |
| 903     | *8-848-062-01 | DEVICE, OPTICS (KSS-150A)                    |
| 904     | X-4917-505-1  | (BU-5) ... BASE ASSY<br>(BU-5A) .. BASE ASSY |
| 905     | *A-4651-121-A | (EXCEPT C5S:E)...MOUNTED PCB, MAIN           |
|         | *A-4651-122-A | (E).....MOUNTED PCB, MAIN                    |
|         | *A-4651-123-A | (C5S).....MOUNTED PCB, MAIN                  |
| 906     | *A-4655-039-A | (C5F)....MOUNTED PCB, INDICATION             |
|         | *A-4655-042-A | (C57)....MOUNTED PCB, INDICATION             |
|         | *A-4655-043-A | (C5S)....MOUNTED PCB, INDICATION             |
| 907     | 1-526-565-00  | (E)...ADAPTOR, AC PLUG                       |
| C001    | 1-161-494-00  | CERAMIC 0.022MF 25V                          |
| C002    | 1-161-741-00  | (AEP) ..... CERAMIC 0.001MF 1%               |
| C003    | 1-161-741-00  | (AEP) ..... CERAMIC 0.001MF 10% 400V         |
| C004    | 1-161-741-00  | (AEP) ..... CERAMIC 0.001MF 10% 400V         |
| C005    | 1-161-741-00  | (US, Canadian). CERAMIC 0.001MF 10% 400V     |
| C006    | 1-161-741-00  | (AEP) ..... CERAMIC 0.001MF 10% 400V         |
| C101    | 1-136-478-11  | FILM 470PF 5% 630V                           |
| C102    | 1-126-023-11  | ELECT 100MF 20% 25V                          |
| C103    | 1-130-273-00  | FILM 0.001MF 5% 100V                         |
| C104    | 1-136-230-00  | FILM 0.0022MF 5% 100V                        |
| C105    | 1-136-230-00  | FILM 0.0022MF 5% 100V                        |
| C106    | 1-136-153-00  | FILM 0.01MF 5% 50V                           |
| C107    | 1-130-467-00  | MYLAR 470PF 5% 50V                           |
| C108    | 1-124-187-11  | ELECT 22MF 20% 50V                           |
| C109    | 1-123-875-91  | (EXCEPT C5S)..ELECT 10MF 20% 50V             |
| C110    | 1-124-282-00  | (EXCEPT C5S)..ELECT 22MF 20% 25V             |
| C111    | 1-162-290-31  | CERAMIC 470PF 10% 50V                        |
| C201    | 1-136-478-11  | FILM 470PF 5% 630V                           |
| C202    | 1-126-023-11  | ELECT 100MF 20% 25V                          |
| C203    | 1-130-273-00  | FILM 0.001MF 5% 100V                         |
| C204    | 1-136-230-00  | FILM 0.0022MF 5% 100V                        |
| C205    | 1-136-230-00  | FILM 0.0022MF 5% 100V                        |
| C206    | 1-136-153-00  | FILM 0.01MF 5% 50V                           |
| C207    | 1-130-467-00  | MYLAR 470PF 5% 50V                           |
| C208    | 1-124-187-11  | ELECT 22MF 20% 50V                           |
| C209    | 1-123-875-91  | ELECT 10MF 20% 50V                           |
| C210    | 1-124-282-00  | ELECT 22MF 20% 25V                           |
| C211    | 1-162-290-31  | CERAMIC 470PF 10% 50V                        |
| C301    | 1-124-898-11  | ELECT 4700MF 20% 16V                         |
| C302    | 1-124-898-11  | ELECT 4700MF 20% 16V                         |
| C303    | 1-124-791-11  | ELECT 1MF 20% 50V                            |
| C304    | 1-124-927-11  | ELECT 4.7MF 20% 50V                          |
| C305    | 1-124-998-00  | ELECT 1000MF 20% 10V                         |
| C306    | 1-124-998-00  | ELECT 1000MF 20% 10V                         |
| C307    | 1-124-122-11  | ELECT 100MF 20% 50V                          |
| C308    | 1-124-572-11  | ELECT 100MF 20% 63V                          |
| C309    | 1-124-478-11  | ELECT 100MF 20% 25V                          |
| C310    | 1-161-494-00  | CERAMIC 0.022MF 25V                          |

**ELECTRICAL PARTS**

| Ref.No. | Part No.     | Description                      |
|---------|--------------|----------------------------------|
| C311    | 1-123-875-91 | ELECT 10MF 20% 50V               |
| C312    | 1-123-321-00 | ELECT 220MF 20% 16V              |
| C313    | 1-124-791-11 | ELECT 1MF 20% 50V                |
| C314    | 1-124-468-11 | ELECT 100MF 20% 6.3V             |
| C315    | 1-125-367-11 | SUPER CONDENSOR 0.1F 5.5V        |
| C316    | 1-123-875-91 | (EXCEPT C5F)..ELECT 10MF 20% 50V |
| C317    | 1-161-494-00 | CERAMIC 0.022MF 25V              |
| C501    | 1-124-468-11 | ELECT 100MF 20% 6.3V             |
| C502    | 1-162-294-31 | CERAMIC 0.001MF 10% 50V          |
| C503    | 1-130-475-00 | MYLAR 0.0022MF 5% 50V            |
| C504    | 1-162-198-31 | CERAMIC 8.2PF 10% 50V            |
| C505    | 1-124-468-11 | ELECT 100MF 20% 6.3V             |
| C506    | 1-136-159-00 | FILM 0.033MF 5% 50V              |
| C507    | 1-124-468-11 | ELECT 100MF 20% 6.3V             |
| C508    | 1-136-159-00 | FILM 0.033MF 5% 50V              |
| C509    | 1-136-153-00 | FILM 0.01MF 5% 50V               |
| C510    | 1-124-468-11 | ELECT 100MF 20% 6.3V             |
| C511    | 1-130-475-00 | MYLAR 0.0022MF 5% 50V            |
| C512    | 1-136-165-00 | FILM 0.1MF 5% 50V                |
| C513    | 1-136-161-00 | FILM 0.047MF 5% 50V              |
| C514    | 1-124-905-11 | ELECT 3.3MF 20% 50V              |
| C515    | 1-136-165-00 | FILM 0.1MF 5% 50V                |
| C518    | 1-123-875-91 | ELECT 10MF 20% 50V               |
| C519    | 1-136-169-00 | FILM 0.22MF 5% 50V               |
| C521    | 1-124-927-11 | ELECT 4.7MF 20% 50V              |
| C522    | 1-110-203-00 | MYLAR 0.0047MF 5% 50V            |
| C523    | 1-124-468-11 | ELECT 100MF 20% 6.3V             |
| C524    | 1-162-294-31 | CERAMIC 0.001MF 10% 50V          |
| C525    | 1-124-902-00 | ELECT 0.47MF 20% 50V             |
| C526    | 1-136-159-00 | FILM 0.033MF 5% 50V              |
| C527    | 1-124-468-11 | ELECT 100MF 20% 6.3V             |
| C528    | 1-124-468-11 | ELECT 100MF 20% 6.3V             |
| C529    | 1-124-902-00 | ELECT 0.47MF 20% 50V             |
| C530    | 1-136-153-00 | FILM 0.01MF 5% 50V               |
| C531    | 1-124-791-11 | ELECT 1MF 20% 50V                |
| C533    | 1-124-468-11 | ELECT 100MF 20% 6.3V             |
| C534    | 1-162-207-31 | CERAMIC 22PF 5% 50V              |
| C535    | 1-162-207-31 | CERAMIC 22PF 5% 50V              |
| C537    | 1-124-468-11 | ELECT 100MF 20% 6.3V             |
| C539    | 1-124-791-11 | ELECT 1MF 20% 50V                |
| C550    | 1-162-294-31 | CERAMIC 0.001MF 10% 50V          |
| C551    | 1-124-445-00 | ELECT 100MF 20% 16V              |
| C552    | 1-124-445-00 | ELECT 100MF 20% 16V              |
| C553    | 1-124-791-11 | ELECT 1MF 20% 50V                |
| C554    | 1-161-494-00 | CERAMIC 0.022MF 25V              |

# CDP-C5F/C5S/C5T

## ELECTRICAL PARTS

| Ref.No. | Part No.      | Description                      |          |     |     |
|---------|---------------|----------------------------------|----------|-----|-----|
| C555    | 1-162-294-31  | CERAMIC                          | 0.001MF  | 10% | 50V |
| C556    | 1-162-294-31  | CERAMIC                          | 0.001MF  | 10% | 50V |
| C557    | 1-162-294-31  | CERAMIC                          | 0.001MF  | 10% | 50V |
| C559    | 1-161-494-00  | CERAMIC                          | 0.022MF  | 30% | 25V |
| C560    | 1-124-908-11  | ELECT                            | 22MF     | 20% | 25V |
| C561    | 1-123-875-91  | ELECT                            | 10MF     | 20% | 50V |
| C562    | 1-124-927-11  | ELECT                            | 4.7MF    | 20% | 50V |
| C563    | 1-161-494-00  | CERAMIC                          | 0.022MF  | 30% | 25V |
| C564    | 1-161-494-00  | CERAMIC                          | 0.022MF  |     | 25V |
| C565    | 1-162-282-31  | CERAMIC                          | 100PF    | 10% | 50V |
| C566    | 1-136-165-00  | FILM                             | 0.1MF    | 5%  | 50V |
| C567    | 1-161-494-00  | CERAMIC                          | 0.022MF  |     | 25V |
| C568    | 1-161-377-00  | CERAMIC                          | 0.0047MF | 30% | 16V |
| C569    | 1-161-494-00  | CERAMIC                          | 0.022MF  |     | 25V |
| C571    | 1-161-494-00  | CERAMIC                          | 0.022MF  |     | 25V |
| C572    | 1-106-351-00  | MYLAR                            | 0.0022MF | 5%  | 50V |
| C573    | 1-106-351-00  | MYLAR                            | 0.0022MF | 5%  | 50V |
| C701    | 1-162-294-31  | CERAMIC                          | 0.001MF  | 10% | 50V |
| C702    | 1-161-494-00  | CERAMIC                          | 0.022MF  |     | 25V |
| C703    | 1-161-494-00  | CERAMIC                          | 0.022MF  |     | 25V |
| C704    | 1-161-494-00  | CERAMIC                          | 0.022MF  |     | 25V |
| C705    | 1-161-494-00  | CERAMIC                          | 0.022MF  |     | 25V |
| C708    | 1-161-494-00  | (C5S)...CERAMIC                  | 0.022MF  |     | 25V |
| C709    | 1-161-494-00  | (EXCEPT C5S)<br>...CERAMIC       | 0.022MF  |     | 25V |
| C710    | 1-161-494-00  | CERAMIC                          | 0.022MF  |     | 25V |
| C901    | 1-124-927-11  | ELECT                            | 4.7MF    | 20% | 50V |
| C1001   | 1-136-165-00  | FILM                             | 0.1MF    | 5%  | 50V |
| C1002   | 1-124-927-11  | ELECT                            | 4.7MF    | 20% | 50V |
| C1003   | 1-124-791-11  | ELECT                            | 1MF      | 20% | 50V |
| C1004   | 1-136-165-00  | FILM                             | 0.1MF    | 5%  | 50V |
| C1005   | 1-124-927-11  | ELECT                            | 4.7MF    | 20% | 50V |
| C1006   | 1-123-332-00  | ELECT                            | 47MF     | 20% | 16V |
| C1007   | 1-124-791-11  | ELECT                            | 1MF      | 20% | 50V |
| C1008   | 1-136-165-00  | FILM                             | 0.1MF    | 5%  | 50V |
| C1009   | 1-124-908-11  | ELECT                            | 22MF     | 20% | 25V |
| C1010   | 1-124-791-11  | ELECT                            | 1MF      | 20% | 50V |
| C1011   | 1-124-927-11  | ELECT                            | 4.7MF    | 20% | 50V |
| CN301   | *1-564-508-11 | PLUG, CONNECTOR 5P               |          |     |     |
| CN302   | *1-564-339-51 | PIN, CONNECTOR 5P                |          |     |     |
| CN303   | *1-564-340-51 | (EXCEPT C5S)...PIN, CONNECTOR 6P |          |     |     |
| CN304   | *1-564-506-11 | PLUG, CONNECTOR 3P               |          |     |     |
| CN501   | *1-506-503-11 | PIN, CONNECTOR 9P                |          |     |     |
| CN503   | *1-564-509-11 | PLUG, CONNECTOR 6P               |          |     |     |
| CN504   | *1-564-510-11 | PLUG, CONNECTOR 7P               |          |     |     |
| CN505   | *1-564-507-11 | PLUG, CONNECTOR 4P               |          |     |     |
| CN506   | *1-564-339-41 | PIN, CONNECTOR 5P                |          |     |     |
| CN507   | *1-564-339-21 | PIN, CONNECTOR 5P                |          |     |     |
| CN508   | *1-564-338-21 | PIN, CONNECTOR 4P                |          |     |     |
| CN509   | *1-564-337-21 | PIN, CONNECTOR 3P                |          |     |     |
| CN510   | *1-564-720-31 | PIN, CONNECTOR (SMALL TYPE) 4P   |          |     |     |
| CN511   | *1-564-724-11 | PIN, CONNECTOR (SMALL TYPE) 8P   |          |     |     |
| CN512   | *1-564-338-41 | PIN, CONNECTOR 4P                |          |     |     |
| CN513   | *1-564-720-11 | PIN, CONNECTOR (SMALL TYPE) 4P   |          |     |     |
| CN514   | *1-564-338-31 | PIN, CONNECTOR 4P                |          |     |     |
| CN515   | *1-564-509-11 | PLUG, CONNECTOR 6P               |          |     |     |
| CN516   | *1-564-340-21 | PIN, CONNECTOR 6P                |          |     |     |

The components identified by shading and mark **A** are critical for safety. Replace only with part number specified.

Les composants identifiés par une trame et une marque **A** sont critiques pour la sécurité. Ne les remplacer que par une pièce portant le numéro spécifié.

## ELECTRICAL PARTS

| Ref.No.         | Part No.              | Description                            |
|-----------------|-----------------------|--|
| CN519           | *1-564-338-51         | PIN, CONNECTOR 4P                      |
| CN520           | *1-564-338-00         | PIN, CONNECTOR 4P                      |
| CN521           | *1-564-336-21         | PIN, CONNECTOR 2P                      |
| CN522           | *1-564-336-61         | PIN, CONNECTOR 2P                      |
| CN524           | *1-564-336-00         | PIN, CONNECTOR 2P                      |
| CN525           | *1-564-720-21         | PIN, CONNECTOR (SMALL TYPE) 4P         |
| CN701           | 1-564-980-11          | PIN, CONNECTOR 4P                      |
| CN702           | 1-564-980-11          | PIN, CONNECTOR 4P                      |
| CN704           | *1-564-337-00         | PIN, CONNECTOR 3P                      |
| CN705           | *1-564-337-21         | PIN, CONNECTOR 3P                      |
| <b>A</b> CNJ301 | 1-526-882-00          | (US,Canadian)...OUTLET, AC (AC OUTLET) |
| CNJ513          | *1-564-720-11         | PIN, CONNECTOR (SMALL TYPE) 4P         |
| CNP1            | <b>A</b> 1-551-472-00 | (E)...CORD, POWER                      |
| CNP1            | <b>A</b> 1-551-478-00 | (US,Canadian)...CORD, POWER            |
| CNP1            | <b>A</b> 1-555-795-00 | (AEP)...CORD, POWER, EURO PLUG         |
| D301            | 8-719-200-77          | DIODE 10E2N                            |
| D302            | 8-719-200-77          | DIODE 10E2N                            |
| D303            | 8-719-200-77          | DIODE 10E2N                            |
| D304            | 8-719-200-77          | DIODE 10E2N                            |
| D305            | 8-719-200-77          | DIODE 10E2N                            |
| D306            | 8-719-200-77          | DIODE 10E2N                            |
| D307            | 8-719-200-77          | DIODE 10E2N                            |
| D308            | 8-719-933-36          | ZENER HZS6B1L                          |
| D309            | 8-719-940-76          | DIODE 1SS132                           |
| D310            | 8-719-200-77          | DIODE 10E2N                            |
| D311            | 8-719-940-76          | DIODE 1SS132                           |
| D312            | 8-719-200-77          | DIODE 10E2N                            |
| D313            | 8-719-200-77          | DIODE 10E2N                            |
| D314            | 8-719-940-76          | DIODE 1SS132                           |
| D315            | 8-719-933-36          | ZENER HZS6B1L                          |
| D316            | 8-719-940-76          | DIODE 1SS132                           |
| D317            | 8-719-940-76          | DIODE 1SS132                           |
| D318            | 8-719-940-76          | DIODE 1SS132                           |
| D319            | 8-719-940-76          | DIODE 1SS132                           |
| D320            | 8-719-940-76          | DIODE 1SS132                           |
| D321            | 8-719-940-76          | DIODE 1SS132                           |
| D322            | 8-719-940-76          | DIODE 1SS132                           |
| D701            | 8-719-907-98          | LED GL-5PG22                           |
| D702            | 8-719-906-44          | LED GL-5HY22                           |
| D703            | 8-719-906-44          | LED GL-5HY22                           |
| D704            | 8-719-907-98          | LED GL-5PG22                           |
| D705            | 8-719-945-54          | LED VRPG5341K                          |
| D706            | 8-719-945-54          | LED VRPG5341K                          |
| D707            | 8-719-945-54          | LED VRPG5341K                          |
| D708            | 8-719-945-54          | LED VRPG5341K                          |
| D709            | 8-719-945-54          | LED VRPG5341K                          |
| D710            | 8-719-940-76          | DIODE 1SS132                           |
| D711            | 8-719-940-76          | DIODE 1SS132                           |
| D712            | 8-719-940-76          | DIODE 1SS132                           |
| D713            | 8-719-940-76          | DIODE 1SS132                           |
| D714            | 8-719-940-76          | DIODE 1SS132                           |
| D715            | 8-719-940-76          | DIODE 1SS132                           |
| D716            | 8-719-940-76          | DIODE 1SS132                           |
| D717            | 8-719-940-76          | DIODE 1SS132                           |
| D718            | 8-719-940-76          | DIODE 1SS132                           |
| D719            | 8-719-940-76          | DIODE 1SS132                           |
| D901            | 8-719-940-76          | DIODE 1SS132                           |
| D902            | 8-719-940-76          | DIODE 1SS132                           |

## ELECTRICAL PARTS

| Ref.No. | Part No.      | Description                                  |
|---------|---------------|--|
| D1001   | 8-719-940-76  | DIODE 1SS132                                 |
| D1002   | 8-719-940-76  | DIODE 1SS132                                 |
| D1003   | 8-719-940-76  | DIODE 1SS132                                 |
| D1004   | 8-719-940-76  | DIODE 1SS132                                 |
| D1005   | 8-719-940-76  | DIODE 1SS132                                 |
| D1014   | 8-719-940-76  | DIODE 1SS132                                 |
| FL701   | 1-519-304-00  | INDICATOR TUBE, FLUORESCENT                  |
| IC301   | 8-759-604-03  | IC M5290P                                    |
| IC302   | 8-759-604-00  | IC M51565P                                   |
| IC303   | 8-759-937-95  | IC PCM56P-S                                  |
| IC304   | 8-759-701-12  | (EXCEPT C5S)...IC CXA4559P                   |
| IC501   | 8-752-322-05  | IC CXD1135Q                                  |
| IC502   | 8-752-031-61  | IC CXA1082AQ                                 |
| IC503   | 8-759-802-74  | IC LC3516AML-15                              |
| IC504   | 8-752-030-93  | IC CXA1081M                                  |
| IC505   | 8-759-940-62  | IC MSM6404A-18ORS                            |
| IC506   | 8-759-303-90  | IC STA341M                                   |
| IC507   | 8-759-202-01  | IC TA7256P                                   |
| IC508   | 8-759-803-41  | IC LC4969                                    |
| IC509   | 8-759-601-45  | IC M4069UBP                                  |
| IC701   | 8-759-604-74  | IC M50941-411SP                              |
| IC702   | 8-759-803-33  | IC LC6528C-3175                              |
| IC703   | 8-741-138-70  | (EXCEPT C5S)...IC BX-1387                    |
| IC1001  | 8-759-240-75  | IC TC4075BP                                  |
| IC1002  | 8-759-240-69  | IC TC4069UBP                                 |
| IC1003  | 8-759-133-90  | IC UPC339C                                   |
| IC1004  | 8-759-240-12  | IC TC4012BP                                  |
| IC1005  | 8-759-240-24  | IC TC4024BP                                  |
| IC1006  | 8-759-240-11  | IC TC4011BP                                  |
| IC1007  | 8-759-240-81  | IC TC4081BP                                  |
| IC1008  | 8-759-240-69  | IC TC4069UBP                                 |
| IC1009  | 8-759-240-11  | IC TC4011BP                                  |
| IC1010  | 8-759-240-11  | IC TC4011BP                                  |
| J301    | 1-563-485-21  | (EXCEPT C5S)...JACK, LARGE TYPE (HEADPHONES) |
| J302    | *1-562-999-21 | JACK, PIN 2P (LINE OUT)                      |
| L501    | 1-408-117-00  | MICRO INDUCTOR 10UH                          |
| L701    | 1-407-173-XX  | MICRO INDUCTOR 220UH                         |
| LF301   | 1-421-915-11  | COIL, LINE FILTER                            |
| M252    | X-4917-504-1  | MOTOR ASSY (SLED)                            |
| M501    | X-4919-419-1  | MOTOR ASSY, LOADING                          |
| M502    | X-4919-420-1  | MOTOR ASSY, TURNTABLE                        |
| PM301   | 1-454-438-11  | SOLENOID, PLUNGER                            |
| △PS301  | 1-532-637-00  | LINK, IC                                     |
| △PS302  | 1-532-637-00  | LINK, IC                                     |
| △PS303  | 1-532-605-00  | LINK, IC                                     |
| △PS304  | 1-532-605-00  | LINK, IC                                     |
| △PS305  | 1-532-637-00  | LINK, IC                                     |
| △PS306  | 1-532-686-00  | LINK, IC                                     |
| △PS307  | 1-532-686-00  | LINK, IC                                     |
| Q101    | 8-729-107-77  | TRANSISTOR 2SC3623-L                         |
| Q102    | 8-729-107-77  | TRANSISTOR 2SC3623-L                         |
| Q201    | 8-729-107-77  | TRANSISTOR 2SC3623-L                         |
| Q202    | 8-729-107-77  | TRANSISTOR 2SC3623-L                         |
| Q301    | 8-729-111-67  | TRANSISTOR 2SB1094-L                         |
| Q302    | 8-729-107-25  | TRANSISTOR 2SD1585-L                         |
| Q303    | 8-729-173-13  | TRANSISTOR 2SB731                            |
| Q304    | 8-729-117-54  | TRANSISTOR 2SA1175                           |
| Q305    | 8-729-806-28  | TRANSISTOR 2SC3402                           |

## ELECTRICAL PARTS

| Ref.No. | Part No.     | Description                        |
|---------|--------------|------------------------------------|
| Q306    | 8-729-806-16 | TRANSISTOR 2SA1346                 |
| Q307    | 8-729-180-93 | TRANSISTOR 2SD809                  |
| Q501    | 8-729-801-83 | TRANSISTOR 2SB1013                 |
| Q502    | 8-729-806-38 | TRANSISTOR 2SC3399                 |
| Q503    | 8-729-806-38 | TRANSISTOR 2SC3399                 |
| Q508    | 8-729-801-93 | TRANSISTOR 2SD1387                 |
| Q510    | 8-729-806-16 | TRANSISTOR 2SA1346                 |
| Q511    | 8-729-801-83 | TRANSISTOR 2SB1013                 |
| Q513    | 8-729-177-43 | TRANSISTOR 2SD774                  |
| Q514    | 8-729-801-93 | TRANSISTOR 2SD1387                 |
| Q515    | 8-729-117-54 | TRANSISTOR 2SA1175                 |
| Q516    | 8-729-117-54 | TRANSISTOR 2SA1175                 |
| Q517    | 8-729-806-28 | TRANSISTOR 2SC3402                 |
| Q518    | 8-719-906-43 | TRANSISTOR GP-1S03                 |
| Q519    | 8-719-939-88 | TRANSISTOR RPR-359F-B              |
| Q520    | 8-719-939-88 | TRANSISTOR RPR-359F-B              |
| Q521    | 8-729-806-28 | TRANSISTOR 2AC3402                 |
| Q701    | 9-986-159-01 | TRANSISTOR 2SA1348                 |
| Q702    | 9-986-159-01 | TRANSISTOR 2SA1348                 |
| Q703    | 8-729-806-34 | TRANSISTOR 2SC3400                 |
| Q704    | 8-729-806-34 | TRANSISTOR 2SC3400                 |
| Q705    | 8-729-806-34 | TRANSISTOR 2SC3400                 |
| Q706    | 8-729-806-34 | TRANSISTOR 2SC3400                 |
| Q707    | 8-729-806-34 | TRANSISTOR 2SC3400                 |
| Q708    | 8-729-806-34 | (EXCEPT C5S)...TRANSISTOR 2SC3400  |
| Q709    | 9-986-159-01 | TRANSISTOR 2SA1348                 |
| Q901    | 8-729-806-28 | TRANSISTOR 2SC3402                 |
| Q1001   | 8-729-806-28 | TRANSISTOR 2SC3402                 |
| Q1002   | 8-729-806-28 | TRANSISTOR 2SC3402                 |
| Q1003   | 8-729-900-65 | TRANSISTOR DTA144ES                |
| Q1004   | 8-729-806-28 | TRANSISTOR 2SC3402                 |
| Q1005   | 8-729-900-61 | TRANSISTOR DTA114ES                |
| R000    | 1-247-739-11 | CARBON 100 5% 1/2W                 |
| R101    | 1-215-442-00 | CARBON 7.5K 5% 1/6W                |
| R102    | 1-247-717-11 | CARBON 2.2K 5% 1/4W                |
| R103    | 1-247-717-11 | CARBON 2.2K 5% 1/4W                |
| R104    | 1-247-723-11 | CARBON 6.8K 5% 1/4W                |
| R105    | 1-247-152-00 | CARBON 7.5K 5% 1/4W                |
| R106    | 1-249-933-11 | CARBON 2.7K 1% 1/4W                |
| R107    | 1-249-934-11 | CARBON 3K 1% 1/4W                  |
| R108    | 1-249-933-11 | CARBON 2.7K 1% 1/4W                |
| R109    | 1-249-441-11 | CARBON 100K 5% 1/6W                |
| R110    | 1-247-714-11 | CARBON 1.2K 5% 1/4W                |
| R111    | 1-247-714-11 | CARBON 1.2K 5% 1/4W                |
| R112    | 1-249-429-11 | CARBON 10K 5% 1/6W                 |
| R115    | 1-249-425-11 | CARBON 4.7K 5% 1/6W                |
| R116    | 1-249-429-11 | (EXCEPT C5S)...CARBON 10K 5% 1/6W  |
| R117    | 1-247-849-00 | (EXCEPT C5S)...CARBON 5.6K 5% 1/6W |
| R118    | 1-249-433-11 | (EXCEPT C5S)...CARBON 22K 5% 1/6W  |
| R119    | 1-247-704-11 | (EXCEPT C5S)...CARBON 220 5% 1/4W  |
| R120    | 1-249-429-11 | CARBON 10K 5% 1/6W                 |
| R121    | 1-249-429-11 | CARBON 10K 5% 1/6W                 |
| R201    | 1-215-442-00 | CARBON 7.5K 5% 1/6W                |
| R202    | 1-247-717-11 | CARBON 2.2K 5% 1/4W                |
| R203    | 1-247-717-11 | CARBON 2.2K 5% 1/4W                |
| R204    | 1-247-723-11 | CARBON 6.8K 5% 1/4W                |

The components identified by shading and mark **△** are critical for safety. Replace only with part number specified.

Les composants identifiés par une trame et une marque **△** sont critiques pour la sécurité. Ne les remplacer que par une pièce portant le numéro spécifié.

# CDP-C5F/C5S/C57

## ELECTRICAL PARTS

| Ref.No. | Part No.     | Description           |      |    |      |
|---------|--------------|-----------------------|------|----|------|
| R205    | 1-247-152-00 | CARBON                | 7.5K | 5% | 1/4W |
| R206    | 1-249-933-11 | CARBON                | 2.7K | 1% | 1/4W |
| R207    | 1-249-934-11 | CARBON                | 3K   | 1% | 1/4W |
| R208    | 1-249-933-11 | CARBON                | 2.7K | 1% | 1/4W |
| R209    | 1-249-441-11 | CARBON                | 100K | 5% | 1/6W |
| R210    | 1-247-714-11 | CARBON                | 1.2K | 5% | 1/4W |
| R211    | 1-247-714-11 | CARBON                | 1.2K | 5% | 1/4W |
| R212    | 1-249-429-11 | CARBON                | 10K  | 5% | 1/6W |
| R215    | 1-249-425-11 | CARBON                | 4.7K | 5% | 1/6W |
| R216    | 1-249-429-11 | (EXCEPT C5S)...CARBON | 10K  | 5% | 1/6W |
| R217    | 1-247-849-00 | (EXCEPT C5S)...CARBON | 5.6K | 5% | 1/6W |
| R218    | 1-249-433-11 | (EXCEPT C5S)...CARBON | 22K  | 5% | 1/6W |
| R219    | 1-247-704-11 | (EXCEPT C5S)...CARBON | 220  | 5% | 1/4W |
| R220    | 1-249-429-11 | CARBON                | 10K  | 5% | 1/6W |
| R221    | 1-249-429-11 | CARBON                | 10K  | 5% | 1/6W |
| R301    | 1-249-425-11 | CARBON                | 4.7K | 5% | 1/6W |
| R302    | 1-249-425-11 | CARBON                | 4.7K | 5% | 1/6W |
| R303    | 1-249-425-11 | CARBON                | 4.7K | 5% | 1/6W |
| R304    | 1-249-415-11 | CARBON                | 680  | 5% | 1/6W |
| R305    | 1-249-422-11 | CARBON                | 2.7K | 5% | 1/6W |
| R306    | 1-249-433-11 | CARBON                | 22K  | 5% | 1/6W |
| R307    | 1-249-441-11 | CARBON                | 100K | 5% | 1/6W |
| R308    | 1-247-752-11 | CARBON                | 1K   | 5% | 1/2W |
| R309    | 1-247-704-11 | CARBON                | 220  | 5% | 1/4W |
| R310    | 1-247-739-11 | CARBON                | 100  | 5% | 1/2W |
| R311    | 1-249-429-11 | CARBON                | 10K  | 5% | 1/6W |
| R501    | 1-214-092-00 | METAL                 | 22   | 1% | 1/4W |
| R502    | 1-249-428-11 | CARBON                | 8.2K | 5% | 1/6W |
| R503    | 1-215-450-00 | CARBON                | 16K  | 5% | 1/6W |
| R504    | 1-249-421-11 | CARBON                | 2.2K | 5% | 1/6W |
| R505    | 1-249-433-11 | CARBON                | 22K  | 5% | 1/6W |
| R506    | 1-249-405-11 | CARBON                | 100  | 5% | 1/6W |
| R507    | 1-249-428-11 | CARBON                | 8.2K | 5% | 1/6W |
| R508    | 1-249-428-11 | CARBON                | 8.2K | 5% | 1/6W |
| R509    | 1-215-437-00 | METAL                 | 4.7K | 1% | 1/6W |
| R510    | 1-215-437-00 | METAL                 | 4.7K | 1% | 1/6W |
| R511    | 1-249-437-11 | CARBON                | 47K  | 5% | 1/6W |
| R512    | 1-249-437-11 | CARBON                | 47K  | 5% | 1/6W |
| R513    | 1-249-447-11 | CARBON                | 1    | 5% | 1/4W |
| R514    | 1-249-441-11 | CARBON                | 100K | 5% | 1/6W |
| R515    | 1-249-385-11 | CARBON                | 2.2  | 5% | 1/6W |
| R516    | 1-247-883-00 | CARBON                | 150K | 5% | 1/6W |
| R517    | 1-249-385-11 | CARBON                | 2.2  | 5% | 1/6W |
| R518    | 1-249-441-11 | CARBON                | 100K | 5% | 1/6W |
| R519    | 1-215-479-00 | CARBON                | 270K | 5% | 1/6W |
| R520    | 1-249-435-11 | CARBON                | 33K  | 5% | 1/6W |
| R521    | 1-249-385-11 | CARBON                | 2.2  | 5% | 1/6W |
| R522    | 1-249-424-11 | CARBON                | 3.9K | 5% | 1/6W |
| R524    | 1-215-486-00 | CARBON                | 510K | 5% | 1/6W |
| R525    | 1-249-441-11 | CARBON                | 100K | 5% | 1/6W |
| R526    | 1-215-452-00 | CARBON                | 20K  | 5% | 1/6W |
| R527    | 1-215-493-00 | CARBON                | 1M   | 5% | 1/6W |
| R528    | 1-215-434-00 | METAL                 | 3.6K | 1% | 1/6W |
| R529    | 1-247-881-00 | CARBON                | 120K | 5% | 1/6W |
| R530    | 1-249-429-11 | CARBON                | 10K  | 5% | 1/6W |
| R531    | 1-249-433-11 | CARBON                | 22K  | 5% | 1/6W |
| R532    | 1-249-429-11 | CARBON                | 10K  | 5% | 1/6W |

## ELECTRICAL PARTS

| Ref.No. | Part No.     | Description |      |    |      |
|---------|--------------|-------------|------|----|------|
| R533    | 1-249-441-11 | CARBON      | 100K | 5% | 1/6W |
| R534    | 1-249-429-11 | CARBON      | 10K  | 5% | 1/6W |
| R535    | 1-249-441-11 | CARBON      | 100K | 5% | 1/6W |
| R549    | 1-249-422-11 | CARBON      | 2.7K | 5% | 1/6W |
| R550    | 1-249-417-11 | CARBON      | 1K   | 5% | 1/6W |
| R551    | 1-249-425-11 | CARBON      | 4.7K | 5% | 1/6W |
| R552    | 1-249-425-11 | CARBON      | 4.7K | 5% | 1/6W |
| R553    | 1-249-433-11 | CARBON      | 22K  | 5% | 1/6W |
| R554    | 1-249-433-11 | CARBON      | 22K  | 5% | 1/6W |
| R555    | 1-249-447-11 | CARBON      | 1    | 5% | 1/4W |
| R556    | 1-249-434-11 | CARBON      | 27K  | 5% | 1/6W |
| R557    | 1-249-433-11 | CARBON      | 22K  | 5% | 1/6W |
| R559    | 1-249-425-11 | CARBON      | 4.7K | 5% | 1/6W |
| R560    | 1-249-424-11 | CARBON      | 3.9K | 5% | 1/6W |
| R561    | 1-247-849-00 | CARBON      | 5.6K | 5% | 1/6W |
| R562    | 1-249-441-11 | CARBON      | 100K | 5% | 1/6W |
| R563    | 1-246-457-00 | CARBON      | 220  | 5% | 1/4W |
| R564    | 1-246-455-00 | CARBON      | 180  | 5% | 1/4W |
| R565    | 1-249-433-11 | CARBON      | 22K  | 5% | 1/6W |
| R566    | 1-249-433-11 | CARBON      | 22K  | 5% | 1/6W |
| R567    | 1-249-423-11 | CARBON      | 3.3K | 5% | 1/6W |
| R568    | 1-249-433-11 | CARBON      | 22K  | 5% | 1/6W |
| R570    | 1-215-469-00 | METAL       | 100K | 1% | 1/6W |
| R571    | 1-215-469-00 | METAL       | 100K | 1% | 1/6W |
| R572    | 1-215-486-00 | CARBON      | 510K | 5% | 1/6W |
| R573    | 1-249-405-11 | CARBON      | 100  | 5% | 1/6W |
| R574    | 1-249-421-11 | CARBON      | 2.2K | 5% | 1/6W |
| R575    | 1-249-425-11 | CARBON      | 4.7K | 5% | 1/6W |
| R576    | 1-249-419-11 | CARBON      | 1.5K | 5% | 1/6W |
| R577    | 1-249-433-11 | CARBON      | 22K  | 5% | 1/6W |
| R578    | 1-247-849-00 | CARBON      | 5.6K | 5% | 1/6W |
| R579    | 1-249-419-11 | CARBON      | 1.5K | 5% | 1/6W |
| R580    | 1-249-421-11 | CARBON      | 2.2K | 5% | 1/6W |
| R581    | 1-249-417-11 | CARBON      | 1K   | 5% | 1/6W |
| R582    | 1-249-417-11 | CARBON      | 1K   | 5% | 1/6W |
| R584    | 1-215-396-00 | CARBON      | 91   | 5% | 1/6W |
| R585    | 1-249-433-11 | CARBON      | 22K  | 5% | 1/6W |
| R586    | 1-249-433-11 | CARBON      | 22K  | 5% | 1/6W |
| R587    | 1-249-433-11 | CARBON      | 22K  | 5% | 1/6W |
| R588    | 1-249-433-11 | CARBON      | 22K  | 5% | 1/6W |
| R589    | 1-215-881-11 | METAL OXIDE | 15   | 5% | 2W F |
| R590    | 1-249-441-11 | CARBON      | 100K | 5% | 1/6W |
| R591    | 1-249-417-11 | CARBON      | 1K   | 5% | 1/6W |
| R592    | 1-249-417-11 | CARBON      | 1K   | 5% | 1/6W |
| R593    | 1-249-437-11 | CARBON      | 47K  | 5% | 1/6W |
| R594    | 1-249-437-11 | CARBON      | 47K  | 5% | 1/6W |
| R595    | 1-249-437-11 | CARBON      | 47K  | 5% | 1/6W |
| R596    | 1-249-393-11 | CARBON      | 10   | 5% | 1/6W |
| R597    | 1-249-417-11 | CARBON      | 1K   | 5% | 1/6W |
| R598    | 1-249-417-11 | CARBON      | 1K   | 5% | 1/6W |
| R601    | 1-249-405-11 | CARBON      | 100  | 5% | 1/6W |
| R602    | 1-249-437-11 | CARBON      | 47K  | 5% | 1/6W |
| R701    | 1-249-404-00 | CARBON      | 82   | 5% | 1/6W |
| R702    | 1-249-409-11 | CARBON      | 220  | 5% | 1/6W |
| R703    | 1-249-409-11 | CARBON      | 220  | 5% | 1/6W |
| R704    | 1-249-404-00 | CARBON      | 82   | 5% | 1/6W |
| R705    | 1-249-405-11 | CARBON      | 100  | 5% | 1/6W |

The components identified by shading and mark **A** are critical for safety. Replace only with part number specified.

Les composants identifiés par une trame et une marque **A** sont critiques pour la sécurité. Ne les remplacer que par une pièce portant le numéro spécifié.

## ELECTRICAL PARTS

| Ref.No. | Part No.     | Description |      |    |      |
|---------|--------------|-------------|------|----|------|
| R706    | 1-249-405-11 | CARBON      | 100  | 5% | 1/6W |
| R707    | 1-249-405-11 | CARBON      | 100  | 5% | 1/6W |
| R708    | 1-249-405-11 | CARBON      | 100  | 5% | 1/6W |
| R709    | 1-249-405-11 | CARBON      | 100  | 5% | 1/6W |
| R710    | 1-215-493-00 | CARBON      | 1M   | 5% | 1/6W |
| R711    | 1-247-849-00 | CARBON      | 5.6K | 5% | 1/6W |
| R712    | 1-249-419-11 | CARBON      | 1.5K | 5% | 1/6W |
| R713    | 1-249-421-11 | CARBON      | 2.2K | 5% | 1/6W |
| R714    | 1-249-425-11 | CARBON      | 4.7K | 5% | 1/6W |
| R715    | 1-249-431-11 | CARBON      | 15K  | 5% | 1/6W |
| R716    | 1-247-849-00 | CARBON      | 5.6K | 5% | 1/6W |
| R717    | 1-249-419-11 | CARBON      | 1.5K | 5% | 1/6W |
| R718    | 1-249-421-11 | CARBON      | 2.2K | 5% | 1/6W |
| R719    | 1-249-425-11 | CARBON      | 4.7K | 5% | 1/6W |
| R720    | 1-249-431-11 | CARBON      | 15K  | 5% | 1/6W |
| R721    | 1-247-849-00 | CARBON      | 5.6K | 5% | 1/6W |
| R722    | 1-249-419-11 | CARBON      | 1.5K | 5% | 1/6W |
| R723    | 1-249-421-11 | CARBON      | 2.2K | 5% | 1/6W |
| R724    | 1-249-425-11 | CARBON      | 4.7K | 5% | 1/6W |
| R725    | 1-249-431-11 | CARBON      | 15K  | 5% | 1/6W |
| R726    | 1-247-849-00 | CARBON      | 5.6K | 5% | 1/6W |
| R727    | 1-249-419-11 | CARBON      | 1.5K | 5% | 1/6W |
| R728    | 1-249-421-11 | CARBON      | 2.2K | 5% | 1/6W |
| R729    | 1-249-417-11 | CARBON      | 1K   | 5% | 1/6W |
| R730    | 1-215-452-00 | CARBON      | 20K  | 5% | 1/6W |
| R731    | 1-249-429-11 | CARBON      | 10K  | 5% | 1/6W |
| R732    | 1-249-417-11 | CARBON      | 1K   | 5% | 1/6W |
| R733    | 1-215-452-00 | CARBON      | 20K  | 5% | 1/6W |
| R734    | 1-249-429-11 | CARBON      | 10K  | 5% | 1/6W |
| R735    | 1-249-417-11 | CARBON      | 1K   | 5% | 1/6W |
| R736    | 1-215-452-00 | CARBON      | 20K  | 5% | 1/6W |
| R738    | 1-249-405-11 | CARBON      | 100  | 5% | 1/6W |
| R739    | 1-249-433-11 | CARBON      | 22K  | 5% | 1/6W |
| R740    | 1-249-433-11 | CARBON      | 22K  | 5% | 1/6W |
| R741    | 1-249-393-11 | CARBON      | 10   | 5% | 1/6W |
| R742    | 1-249-429-11 | CARBON      | 10K  | 5% | 1/6W |
| R743    | 1-249-417-11 | CARBON      | 1K   | 5% | 1/6W |
| R744    | 1-215-452-00 | CARBON      | 20K  | 5% | 1/6W |
| R745    | 1-215-452-00 | CARBON      | 20K  | 5% | 1/6W |
| R746    | 1-249-403-11 | CARBON      | 68   | 5% | 1/6W |
| R747    | 1-249-433-11 | CARBON      | 22K  | 5% | 1/6W |
| R748    | 1-249-433-11 | CARBON      | 22K  | 5% | 1/6W |
| R749    | 1-249-433-11 | CARBON      | 22K  | 5% | 1/6W |
| R750    | 1-215-493-00 | CARBON      | 1M   | 5% | 1/6W |
| R901    | 1-249-417-11 | CARBON      | 1K   | 5% | 1/6W |

## ELECTRICAL PARTS

| Ref.No. | Part No.     | Description   |      |    |      |
|---------|--------------|---|------|----|------|
| R902    | 1-247-899-00 | CARBON  | 680K | 5% | 1/6W |
| R903    | 1-249-429-11 | CARBON  | 10K  | 5% | 1/6W |
| R1001   | 1-249-441-11 | CARBON  | 100K | 5% | 1/6W |
| R1002   | 1-249-441-11 | CARBON  | 100K | 5% | 1/6W |
| R1003   | 1-249-429-11 | CARBON  | 10K  | 5% | 1/6W |
| R1004   | 1-249-429-11 | CARBON  | 10K  | 5% | 1/6W |
| R1005   | 1-249-429-11 | CARBON  | 10K  | 5% | 1/6W |
| R1006   | 1-249-433-11 | CARBON  | 22K  | 5% | 1/6W |
| R1007   | 1-249-441-11 | CARBON  | 100K | 5% | 1/6W |
| R1008   | 1-249-413-11 | CARBON  | 470  | 5% | 1/6W |
| R1009   | 1-249-417-11 | CARBON  | 1K   | 5% | 1/6W |
| R1010   | 1-249-419-11 | CARBON  | 1.5K | 5% | 1/6W |
| R1011   | 1-249-417-11 | CARBON  | 1K   | 5% | 1/6W |
| R1012   | 1-249-417-11 | CARBON  | 1K   | 5% | 1/6W |
| R1013   | 1-249-429-11 | CARBON  | 10K  | 5% | 1/6W |
| R1014   | 1-249-441-11 | CARBON  | 100K | 5% | 1/6W |
| R1015   | 1-247-887-00 | CARBON  | 220K | 5% | 1/6W |
| R1016   | 1-249-429-11 | CARBON  | 10K  | 5% | 1/6W |
| R1017   | 1-249-441-11 | CARBON  | 100K | 5% | 1/6W |
| R1018   | 1-247-887-00 | CARBON  | 220K | 5% | 1/6W |
| R1019   | 1-249-441-11 | CARBON  | 100K | 5% | 1/6W |
| R1020   | 1-249-441-11 | CARBON  | 100K | 5% | 1/6W |
| R1021   | 1-249-417-11 | CARBON  | 1K   | 5% | 1/6W |
| R1022   | 1-249-441-11 | CARBON  | 100K | 5% | 1/6W |
| R1023   | 1-249-417-11 | CARBON  | 1K   | 5% | 1/6W |
| R1024   | 1-249-441-11 | CARBON  | 100K | 5% | 1/6W |
| R1025   | 1-249-435-11 | CARBON  | 33K  | 5% | 1/6W |
| R1026   | 1-249-441-11 | CARBON  | 100K | 5% | 1/6W |
| R1027   | 1-249-429-11 | CARBON  | 10K  | 5% | 1/6W |
| RV301   | 1-230-997-21 | (EXCEPT C5S)...RES, VAR, CARBON<br>20K/20K (HEADPHONES LEVEL) |      |    |      |
| RV501   | 1-237-194-11 | RES, ADJ, CARBON 20K  |      |    |      |
| RV502   | 1-228-993-00 | RES, ADJ, METAL GLAZE 4.7K                                    |      |    |      |
| RV503   | 1-237-194-11 | RES, ADJ, CARBON 20K  |      |    |      |
| RV504   | 1-237-194-11 | RES, ADJ, CARBON 20K  |      |    |      |
| RV505   | 1-228-990-00 | RES, ADJ, METAL GLAZE 1K                                      |      |    |      |
| RV506   | 1-237-195-11 | RES, ADJ, CARBON 50K  |      |    |      |
| RV507   | 1-237-195-11 | RES, ADJ, CARBON 50K  |      |    |      |



## ELECTRICAL PARTS

| Ref.No. | Part No.      | Description                        |
|---------|---------------|------------------------------------|
| S1      | 1-571-026-11  | SWITCH (ARM MOO VED)               |
| S10     | 1-570-822-11  | SWITCH, LEAF (LIMIT)               |
| S002    | 1-552-809-00  | (C5F)...SWITCH, SLIDE (TIMER)      |
| S301    | 1-570-103-21  | SWITCH, PUSH (1 KEY)(POWER)        |
| S701    | 1-570-876-11  | SWITCH, KEY BOARD (1)              |
| S702    | 1-570-876-11  | SWITCH, KEY BOARD (2)              |
| S703    | 1-570-876-11  | SWITCH, KEY BOARD (3)              |
| S704    | 1-570-876-11  | SWITCH, KEY BOARD (4)              |
| S705    | 1-570-876-11  | SWITCH, KEY BOARD (5)              |
| S706    | 1-570-876-11  | SWITCH, KEY BOARD ( ■ )            |
| S707    | 1-570-876-11  | SWITCH, KEY BOARD ( ■ )            |
| S708    | 1-570-876-11  | SWITCH, KEY BOARD ( ◀◀ )           |
| S709    | 1-570-876-11  | SWITCH, KEY BOARD ( ▶▶ )           |
| S710    | 1-570-876-11  | SWITCH, KEY BOARD ( ▷ )            |
| S711    | 1-570-876-11  | SWITCH, KEY BOARD ( ◀◀ )           |
| S712    | 1-570-876-11  | SWITCH, KEY BOARD ( ▷▷ )           |
| S713    | 1-570-876-11  | SWITCH, KEY BOARD (CHECK)          |
| S714    | 1-570-876-11  | SWITCH, KEY BOARD (CLEAR)          |
| S715    | 1-570-876-11  | SWITCH, KEY BOARD (PROGRAM)        |
| S716    | 1-570-876-11  | SWITCH, KEY BOARD (SHUFFLE)        |
| S717    | 1-570-876-11  | SWITCH, KEY BOARD (REPEAT)         |
| S718    | 1-570-876-11  | SWITCH, KEY BOARD (TIME)           |
| S719    | 1-570-876-11  | SWITCH, KEY BOARD (OPEN/CLOSE)     |
| S720    | 1-570-876-11  | SWITCH, KEY BOARD (DISK SKIP)      |
| S721    | 1-571-027-11  | SWITCH, PUSH (3 KEY)               |
| T301 A  | 1-448-842-11  | (US,Canadian)...TRANSFORMER, POWER |
| T301 A  | 1-448-843-11  | (AEP).....TRANSFORMER, POWER       |
| T301 A  | 1-448-844-11  | (E).....TRANSFORMER, POWER         |
| TP1     | *1-564-507-11 | PLUG, CONNECTOR 4P                 |
| X501    | 1-567-692-21  | VIBRATOR, CRYSTAL (8.4672MHZ)      |
| X701    | 1-567-819-21  | VIBRATOR, CERAMIC (4.00MHZ)        |
| X702    | 1-567-818-21  | VIBRATOR, CERAMIC (3.58MHZ)        |
| YS1 A   | 1-570-307-11  | (E)...VOLTAGE SELECTOR             |

## ACCESSORY & PACKING MATERIAL

| Part No.      | Description                                |
|---------------|--|
| 1-463-796-11  | (EXCEPT C5S)...REMOTE COMMANDER (RM-05)    |
| 1-558-233-11  | (EXCEPT C5S)...CORD (WITH CONNECTOR)       |
| 1-558-787-11  | (EXCEPT C5S)...CORD, CONNECTION (SIRCS) 4P |
| 3-701-630-00  | BAG, POLYETHYLENE                          |
| 3-703-390-01  | (C5F:US,C57)...INSTRUCTION                 |
| 3-703-680-00  | LABEL, CAUTION, SUB, NEW UL                |
| 3-703-713-41  | (EXCEPT C5S)...STICKER, SONY SYMBOL (10)   |
| *3-704-217-01 | LABEL                                      |
| 3-764-766-01  | INSTRUCTION (MICRO COMPUTER 2)             |
| 3-765-967-11  | (C5F:Canadian,AEP,E)...MANUAL, INSTRUCTION |
| 3-765-967-21  | (C5F:US).....MANUAL, INSTRUCTION           |
| 3-765-967-41  | (C5F:AEP).....MANUAL, INSTRUCTION          |
| 3-765-967-51  | (C57).....MANUAL, INSTRUCTION              |
| 3-795-629-11  | (AEP)...INSTRUCTION (DEMCO)                |
| 4-880-211-00  | SHEET, PROTECTION                          |
| 4-919-467-11  | SHEET, THROW                               |
| 4-919-469-01  | (C5F:US).....INDIVIDUAL CARTON             |
| 4-919-469-11  | (C5F:Canadian,AEP,E)...INDIVIDUAL CARTON   |
| 4-919-469-21  | (C57).....INDIVIDUAL CARTON                |
| 4-919-471-01  | (EXCEPT C5S)...CUSHION (LEFT)              |
| 4-919-472-01  | (EXCEPT C5S)...CUSHION (RIGHT)             |
| 4-919-481-01  | PROTECTOR                                  |
| *4-919-488-01 | LABEL, CAUTION                             |
| X-4919-416-1  | (EXCEPT C5S)...HOLDER ASSY, CD BOOKLET     |

The components identified by shading and mark **A** are critical for safety. Replace only with part number specified.

Les composants identifiés par une trame et une marque **A** sont critiques pour la sécurité. Ne les remplacer que par une pièce portant le numéro spécifié.

## SECTION 8 TROUBLESHOOTING

The following checks will assist in the correction of most problems which you may encounter with your unit. Should any problem persist after you have made these checks, consult your nearest Sony service facility. Before going through the check list below, first refer back to the connection and operating procedures.

| TROUBLE  | CAUSES  | REMEDY  |
|--|---|---|
| No audio from one or both channels                                       | Incorrect operation of the amplifier  | Operate correctly.  |
|  | Loose connection  | Connect the cords firmly.   |
| Play does not begin.   | No disc in the disc compartment   | Put disc(s) in the compartment.   |
|  | The <b>II</b> button has been pressed.                                      | Press the <b>II</b> button again or press the <b>▶</b> button to release pause. |
|  | No disc in the front position with the disc compartment open. (SINGLE play) | Rotate the disc compartment so that the disc comes in front.                    |
|  | Moisture condensation   | Leave the player turned on for about an hour.                                   |
|  | The disc is set upside down.  | Set the disc with the label side up.  |
|  | The disc is incorrectly set.  | Set the disc correctly.   |
| Discs cannot be played continuously.                                     | The disc is extremely dirty.  | Clean the disc.   |
|  | The SINGLE button is depressed.   | Depress the MULTI button.   |
| Play stops at each end of selections.                                    | The AUTO PAUSE switch is depressed.   | Depress the AUTO PAUSE switch again to release the auto pause function.         |
| Play does not begin at time set by timer. (The unit power is turned on.) | The AUTO PAUSE switch has been pressed.                                     | Release auto pause before setting the timer.                                    |
| Remote commander does not operate the unit.                              | The batteries are exhausted.  | Replace both batteries.   |
|  | The remote commander is not pointed at the remote sensor.                   | Point the remote commander to the remote sensor.                                |
|  | There is an obstacle between the remote commander and the unit.             | Remove the obstacle.  |
| Any operation is not possible.   | The internal control program may not run correctly.                         | Turn OFF the power and turn it ON again.  |

Sony Corporation  
Audio Group

# CDP-C5F/C5S/ C57

## SONY<sup>®</sup> SERVICE MANUAL

### SUPPLEMENT-1

File this supplement with the Service Manual.

Since PC board patterns in this model were changed several times, some parts have been added or changed of their values and also the suffix of IC701 has been changed to new one.

For the above reason the latest schematic and mounting diagrams are issued with this supplement.

#### 1. Suffix of IC701

| Model   | Countries            | Serial number                                  | Description                                  |
|---------|----------------------|--|--|
| CDP-C5F | US                   | 800,001-808,100<br>808,101-809,800<br>809,801- | M50941-411SP<br>M50941-412SP<br>M50941-413SP |
|         | Canadian<br>AEP<br>E | 001-   | M50941-413SP                                 |
| CDP-C5S | US                   | 0,001- 2,500<br>2,501- 3,000<br>3,001-         | M50941-411SP<br>M50941-412SP<br>M50941-413SP |
| CDP-C57 | US                   | 800,001-802,000<br>802,001-                    | M50941-411SP<br>M50941-413SP                 |

#### 2. Changes of board suffix with serial numbers

| Model   | Countries            | Serial number               | Suffix     |
|---------|----------------------|-----------------------------|------------|
| CDP-C5F | US                   | 800,201-806,000<br>806,001- | -12<br>-13 |
|         | Canadian<br>AEP<br>E | 001-                        | -13        |
| CDP-C5S | US                   | 001-802,500<br>2,501-       | -12<br>-13 |
| CDP-C57 | US                   | 800,001-802,000<br>802,001- | -12<br>-13 |

#### 3. Parts existence list on RMS BOARD

| Description IC701 | RMS board | C562     | D319   | R590 |
|-------------------|-----------|----------|--------|------|
| M50941-411SP      | ○         | 10MF 50V | 1SS132 | 100K |
| M50941-412SP      | ○         | 10MF 50V | 1SS132 | 100K |
| M50941-413SP      | X         | JW       | X      | X    |

*US Model  
Canadian Model  
AEP Model  
E Model  
CDP-C5F*

*US Model  
CDP-C5S*

*US Model  
CDP-C57*

4. Parts existence list on MAIN BOARD

| Ref. No.       | Part No.     | Description                       | Suffix              |
|----------------|--------------|-----------------------------------|---------------------|
| C108, 208      | 1-124-187-11 | NONPOLA 22MF 20% 50V              | -12                 |
| C110           | 1-124-282-00 | ELECT 22MF 20% 25V                | -12                 |
| C112, 212      | 1-162-290-11 | (AEP).....CERAMIC 470PF 10% 50V   | -14 to -15          |
| C209           | 1-123-875-91 | (EXCEPT C5S)..ELECT 10MF 20% 50V  | -12                 |
| C316           | 1-123-875-91 | ELECT 10MF 20% 50V                | -12                 |
| C562           | 1-124-927-11 | ELECT 4.7MF 20% 50V               | -12                 |
| C568           | 1-162-298-00 | CERAMIC 0.0047MF                  | -12(conductor side) |
| C569           | 1-162-596-00 | CERAMIC 0.022MF                   | -12(conductor side) |
| C570           | 1-110-199-00 | FILM 0.0022MF                     | -13 to -15          |
| C571           | 1-161-494-00 | CERAMIC 0.022MF 25V               | -12                 |
| C574           | 1-124-181-51 | NONPOLA 0.47MF                    | -12                 |
| C710           |              |                                   |                     |
| L502           | 1-408-383-00 | MICRO INDUCTOR 220UH              | -13 to -15          |
| L503           | 1-408-188-11 | (EXCEPT E)...MICRO INDUCTOR 100MH | -14 to -15          |
| Q521           | 8-729-806-28 | TRANSISTOR 2SC3402                | -13 to -15          |
| Q522, 523, 524 | 8-729-116-02 | TRANSISTOR DTC114ES               | -13 to -15          |
| Q525, 526      | 8-729-101-34 | TRANSISTOR 2SC2785                | -13 to -15          |
| Q527           | 8-729-900-65 | TRANSISTOR DTA114ES               | -14                 |
| Q528           | 8-729-900-89 | TRANSISTOR DTC144ES               | -14                 |
| R000           |              |                                   |                     |
| R525           | 1-249-429-11 | CARBON 10K 5% 1/6W                | -12                 |
| R558           | 1-249-433-11 | CARBON 22K 5% 1/6W                | -14 to -15          |
| R600, 601      | 1-249-429-11 | CARBON 10K 5% 1/6W                | -14 to -15          |
| R602           | 1-249-437-11 | CARBON 47K 1/6W                   | -14 to -15          |
| R603           | 1-249-405-11 | CARBON 100 1/6W                   | -14 to -15          |
| RV503, 504     | 1-228-995-00 | RES, ADJ, CARBON 22K              | -13 to -15          |
| RV506, 507     | 1-228-996-00 | RES, ADJ, CARBON 47K              | -13 to -15          |

5. Parts existence list on JACK BOARD

| Ref. No. | Part No.     | Description     | Suffix              |
|----------|--------------|-----------------|---------------------|
| C705     | 1-162-596-00 | CERAMIC 0.022MF | -12(conductor side) |
| C711     | 1-162-596-00 | CERAMIC 0.022MF | -14 to -15          |

6. Parts existence list on INDICATION BOARD

| Ref. No. | Part No.     | Description                     | Suffix     |
|----------|--------------|---------------------------------|------------|
| 906      | A-4655-054-A | (AEP)...MOUNTED PCB, INDICATION | -14 to -15 |

7. Parts existence list on POWER TRANSFORMER BOARD

| Ref No.  | Part No.     | Description                            | Suffix     |
|----------|--------------|--|------------|
| C001     | 1-161-741-00 | (E).....CERAMIC 0.001MF 10% 400V       | -14 to -15 |
| C002-004 | 1-161-741-00 | (AEP, UK, E)..CERAMIC 0.001MF 10% 400V | -14 to -15 |

8. Parts existence list on OTHERS BOARD

| Ref. No.    | Part No.     | Description    | Suffix |
|-------------|--------------|----------------|--------|
| C574        | 1-124-181-51 | NONPOLA 0.47MF | -12    |
| C901        | _____        | _____          | _____  |
| C1001-1011  | _____        | _____          | _____  |
| D901, 902   | _____        | _____          | _____  |
| D1001-1015  | _____        | _____          | _____  |
| IC1001-1009 | _____        | _____          | _____  |
| L701        | _____        | _____          | _____  |
| Q901        | _____        | _____          | _____  |
| Q1001-1005  | _____        | _____          | _____  |
| R901, 903   | _____        | _____          | _____  |
| R1001-1027  | _____        | _____          | _____  |

9. Parts existence list on RF BOARD

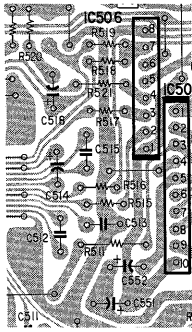
| Ref. No. | Part No.     | Description          | Suffix     |
|----------|--------------|----------------------|------------|
| RV501    | 1-228-995-00 | RES, ADJ, CARBON 22K | -14 to -15 |

10. Parts existence list on DISPLAY BOARD

| Ref. No. | Part No.     | Description              | Suffix     |
|----------|--------------|--------------------------|------------|
| IC703    | 8-741-138-70 | (EXCEPT C5S)...IC BX1387 | -13 to -15 |
| Q701     | 8-729-205-02 | TRANSISTOR 2SB810        | -15        |
| Q702     | 8-729-205-02 | TRANSISTOR 2SB810        | -15        |
| Q708     | 8-729-900-36 | (EXCEPT C5S)...DTC124ES  | -15        |

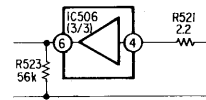
• C570, R599

[MAIN BOARD]

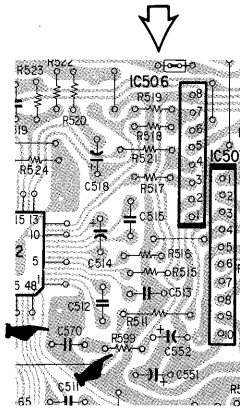
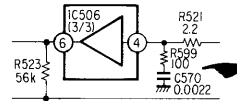


12

[12]



[13]-[15]

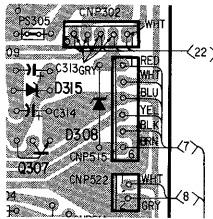


13-15

Board suffix -12  
↓  
Changed portions to the suffix -13 to -15

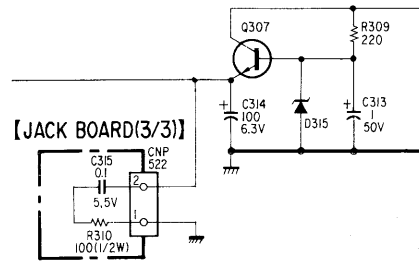
• L502

[MAIN BOARD]

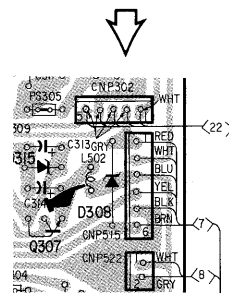
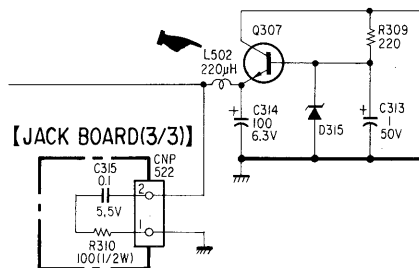


12

[12]



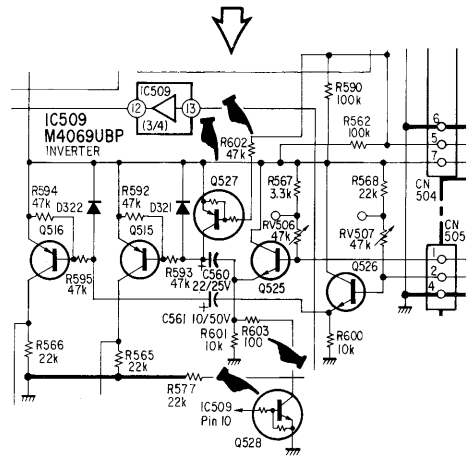
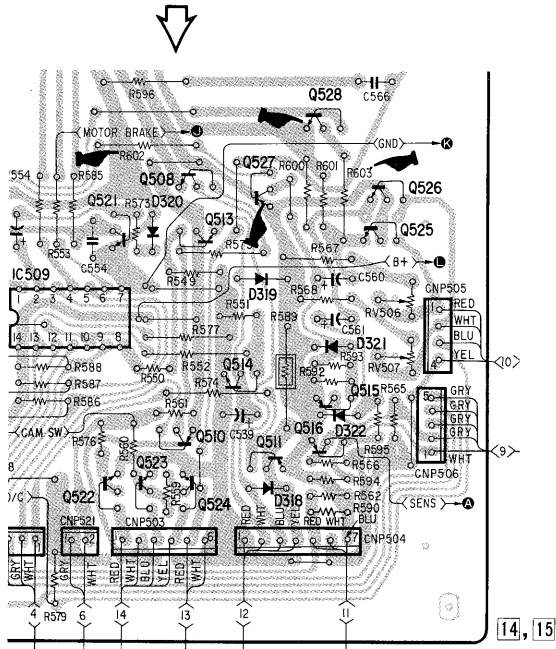
[13]-[15]



13-15

Board suffix -12  
↓  
Changed portions to the suffix -13 to -15

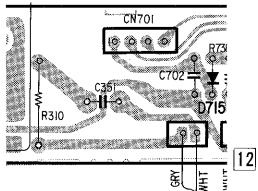




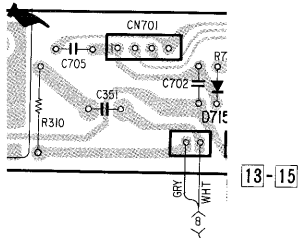
Board suffix -12  
 ↓  
 Changed portions to the suffix -14 to -15

● C705

[JACK BOARD]

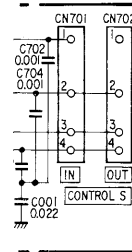


Board suffix -12  
 ↓  
 Changed portions to the suffix -13 to -15

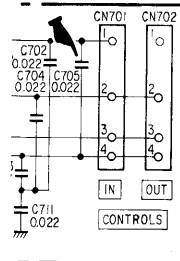


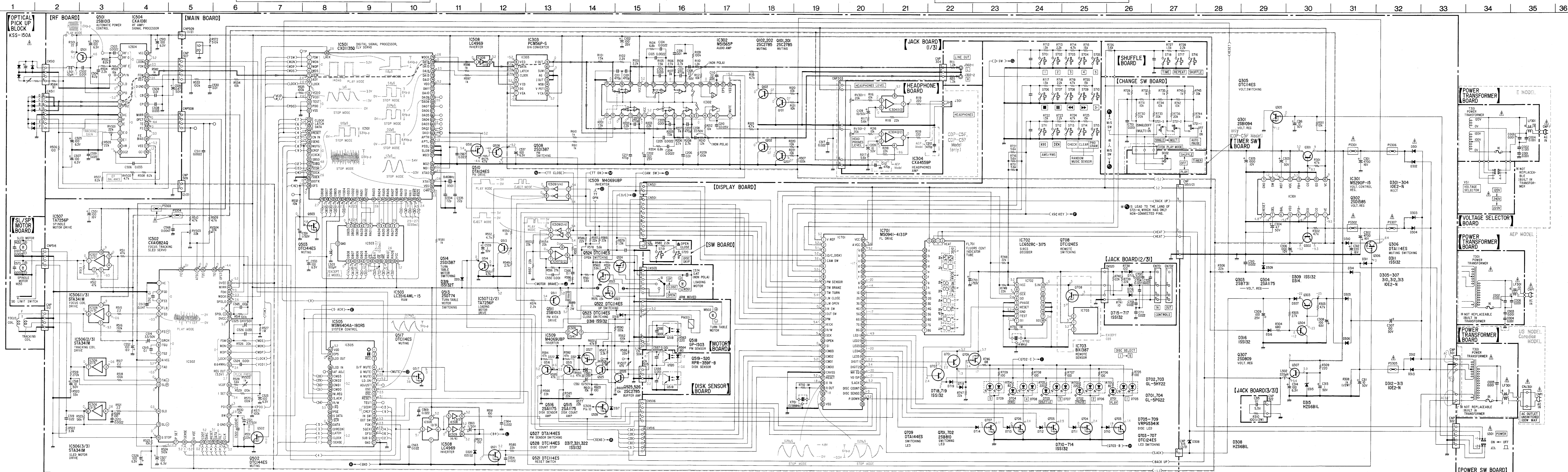
[12]

[JACK BOARD(2/3)]



[JACK BOARD(2/3)]







- Note on Schematic Diagram:**
- All capacitors are in  $\mu\text{F}$  unless otherwise noted. pF:  $\mu\text{F}$  50WV or less are not indicated except for electrolytics and tantalums.
  - All resistors are in  $\Omega$  and  $1/4\text{W}$  or less unless otherwise specified.
  - **[RNF]**: nonflammable resistor.
  - **[L-CH]**: L-CH Signal path.
  - **[R-CH]**: R-CH Signal path.
  - **[B+]**: B+ bus.
  - **[B-]**: B- bus.
  - **[ADJ]**: adjustment for repair.
  - Voltages are dc with respect to ground unless otherwise noted.
  - Readings are taken under no-signal conditions with a VOM (50 k $\Omega$ /V).
  - no mark: STOP
  - Voltage variations may be noted due to normal production tolerances.
  - Waveforms are taken to ground in STOP mode by using oscilloscope.
  - Voltage variations may be noted due to normal production tolerances.
  - Switches:

| Ref. No. | Switch                    | Position |
|----------|---------------------------|----------|
| S1       | ARM MOVED                 | UP       |
| S002     | TIMER                     | OFF      |
| S10      | LIMIT                     | ON       |
| S301     | POWER                     | OFF      |
| S701     | 1                         | OFF      |
| S702     | 2                         | OFF      |
| S703     | 3                         | OFF      |
| S704     | 4                         | OFF      |
| S705     | 5                         | OFF      |
| S706     | ■                         | OFF      |
| S707     | ■                         | OFF      |
| S708     | ■                         | OFF      |
| S709     | ▶▶                        | OFF      |
| S710     | ▶▶                        | OFF      |
| S711     | ◀◀                        | OFF      |
| S712     | ◀◀                        | OFF      |
| S713     | CHECK CLEAR               | OFF      |
| S714     | CLEAR                     | OFF      |
| S715     | PROGLAM                   | OFF      |
| S716     | SHUFFLE                   | OFF      |
| S717     | SHUFFLE                   | OFF      |
| S718     | REPEAT                    | OFF      |
| S719     | TIME                      | OFF      |
| S720     | OPEN/CLOSE                | CLOSE    |
| S721     | DISK SKIP                 | OFF      |
| S722     | DISK PLAY MODE            | OFF      |
| VS1      | E model: VOLTAGE SELECTOR | 120V     |

**Note:**  
The components identified by mark **A** or dotted line with mark **A** are critical for safety. Replace only with part number specified.

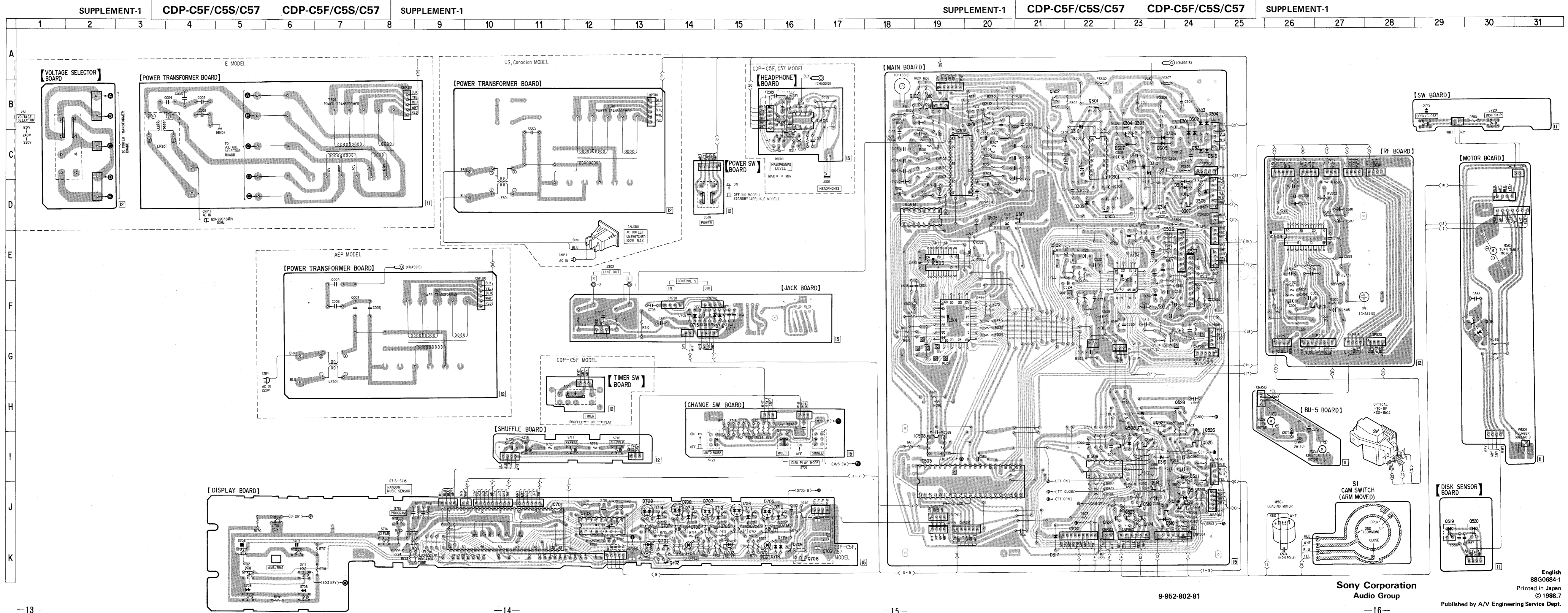
**Note:**  
Les composants identifiés par une marque **A** ou une ligne pointillée avec la marque **A** sont critiques pour la sécurité. Ne les remplacer que par une pièce portant le numéro spécifié.

**Semiconductor Locations**

**[MAIN BOARD]**

| Ref. No. | Location | Ref. No. | Location | Ref. No. | Location |
|----------|----------|----------|----------|----------|----------|
| D301     | B-21     | D713     | J-11     | O306     | C-20     |
| D302     | B-21     | D714     | J-11     | O307     | D-21     |
| D303     | B-21     | D715     | F-11     | O501     | F-24     |
| D304     | B-22     | D716     | F-12     | O502     | E-19     |
| D305     | C-21     | D717     | F-12     | O503     | D-17     |
| D306     | C-21     | D718     | K-13     | O508     | H-20     |
| D307     | C-20     | D719     | K-13     | O510     | J-20     |
| D308     | D-22     |          |          | O511     | J-21     |
| D309     | D-19     | IC301    | C-20     | O513     | I-20     |
| D310     | C-20     | IC302    | C-17     | O514     | J-21     |
| D311     | C-20     | IC303    | D-16     | O515     | J-21     |
| D312     | C-22     | IC304    | B-14     | O516     | J-21     |
| D313     | C-22     | IC501    | F-17     | O517     | D-18     |
| D314     | D-20     | IC502    | E-20     | O518     | F-27     |
| D315     | D-21     | IC503    | E-16     | O519     | J-26     |
| D316     | B-19     | IC504    | E-24     | O520     | J-27     |
| D317     | K-19     | IC505    | I-16     | O521     | I-20     |
| D318     | J-21     | IC506    | E-21     | O522     | J-20     |
| D319     | J-18     | IC507    | E-21     | O523     | J-20     |
| D320     | I-20     | IC508    | H-16     | O524     | J-20     |
| D321     | I-21     | IC509    | I-19     | O525     | I-22     |
| D322     | J-21     | IC701    | J-8      | O526     | H-22     |
| D701     | K-13     | IC702    | J-9      | O527     | H-21     |
| D702     | K-12     | IC703    | J-14     | O528     | H-21     |
| D703     | K-11     |          |          | Q701     | K-11     |
| D704     | K-10     | Q101     | B-16     | Q702     | K-11     |
| D705     | J-13     | Q102     | B-16     | Q703     | J-13     |
| D706     | J-12     | Q201     | B-17     | Q704     | J-13     |
| D707     | J-12     | Q202     | B-17     | Q705     | J-12     |
| D708     | J-11     | Q301     | B-19     | Q706     | J-11     |
| D709     | J-10     | Q302     | B-19     | Q707     | J-11     |
| D710     | J-13     | Q303     | B-20     | Q708     | K-14     |
| D711     | J-12     | Q304     | B-20     | Q709     | K-13     |
| D712     | J-12     | Q305     | B-20     |          |          |

**Note:**  
• **○**: parts extracted from the component side.  
• **■**: part mounted on the conductor side.



# CDP-C5F/C5S/C57

## SONY<sup>®</sup> SERVICE MANUAL

*US Model  
Canadian Model  
AEP Model  
E Model  
CDP-C5F*

*US Model  
CDP-C5S*

*US Model  
CDP-C57*

## SUPPLEMENT-2

File this supplement with the service manual.

### Removal of Main Board

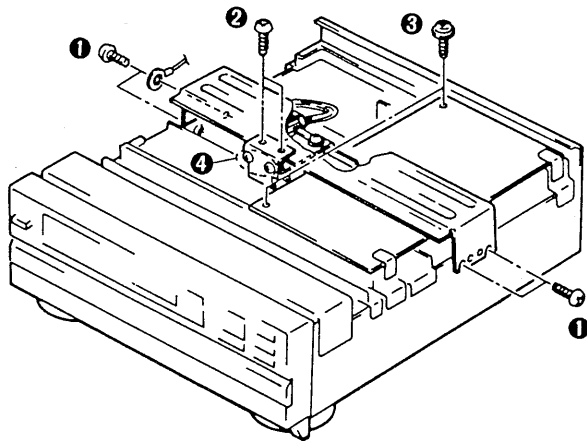


Fig. 1

1. Remove four screws which fasten both sides of reinforcement. (L, center part of chassis.) (Figure 1-①)

2. Remove two screws which fasten the reinforcement (SB) to the reinforcement. (Figure 1-②)

**Note-1** Do not remove the two screws of figure 1-④ since the installation location might be shifted.

**Note-2** When removing wire from wire clamp on the chucking block reinforcement, it is advised that the location on the wire where the wire clamp had been since the pull-around on the wire will be returned to the former position.

\* This is the procedure to remove the reinforcement.

3. Remove two screws (Figure 1-③) which fasten the main board.

4. Remove the wire between the front panel and the main board out of the two purse locks.

5. Remove headphone lead (gray) which is connector-connected on the main board.

\* This is the procedure to raise the PC board hinge on the right side of the main board as the fulcrum.

• This part removal enables to adjust RF board and check the optical block.

### Removal of Front Panel ass'y

6. Remove three screws which fasten the front panel ass'y to the reinforcement.

7. Remove a screw which fastens the front panel ass'y to the bottom of the chassis ass'y.

8. Turn the power supply on and press the OPEN/CLOSE button to take the disc table out.

**Note)** See "When disc table does not open even if OPEN/CLOSE button is pressed" on page 8 of the service manual when the disc table does not come out in spite of turning on the power supply.

9. Remove the hexagonal-socket bolt (2m/m) which fastens the station cover ass'y to the disc table to remove the station cover ass'y.

10. Remove the three links that fasten the front panel ass'y to the bottom of the chassis ass'y and slide the front panel to the front side to be removed.

### Removal of Disc Table

11. Remove four screws which fasten both sides of the reinforcement (front panel side) to remove the reinforcement.
12. Remove the four screws which fasten both sides of the station base and PC board bracket (front panel side).
13. Remove the main board from the PC board hinge which fastens the main board to PC board bracket (front panel side).  
\* This procedure removes the station base and PC board bracket, however, headphone leads do not have to be removed if they open out to the left side since each part has headphone lead (gray).
14. Push the disc table to the end.
15. Remove the screws with washer which fasten the disc table which can be seen from the two squared holes on the right side of the chassis ass'y to the guide bar retainer.
16. Remove the left side of the disc table out of the guide (rear) moving the disc table from left to right and raise it to remove the disc table.  
\* This is the procedure for taking apart. In case of changing the optical block, follow the steps up to 16.

### PRECAUTION IN ASSEMBLING

Following the opposite procedure assembles the parts, however, there are some precautions.

### Station Base

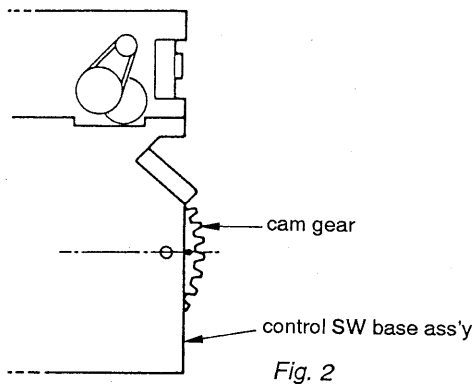


Fig. 2

1. Set the ● mark of the cam gear and the hole on the control SW base ass'y as shown on figure 2.
2. Put down the guide bar retainer at the squared hole side on the chassis ass'y.
3. Mesh the left slide part of the station base (figure 3- ①) with the guide (figure 3- ②).
4. Put the boss of the station base into the ditch of “※” of the figure 3- ④ (lock lever), seeing through from the squared hole on the chassis ass'y on figure 3- ③.
5. After putting the boss of figure 4- ② into the hole of figure 4- ① to locate, screw the disc table to the guide bar retainer.

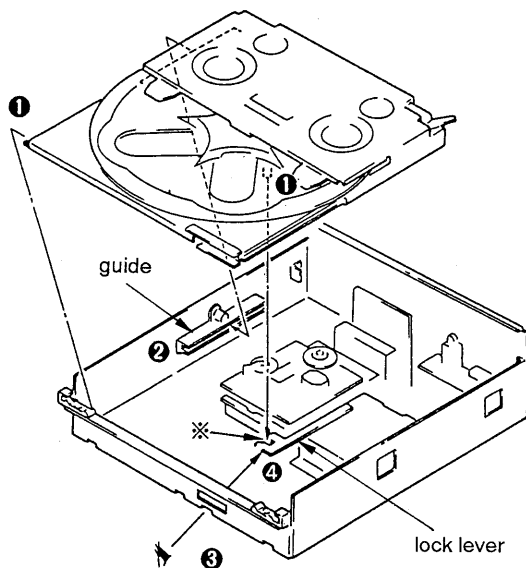


Fig. 3

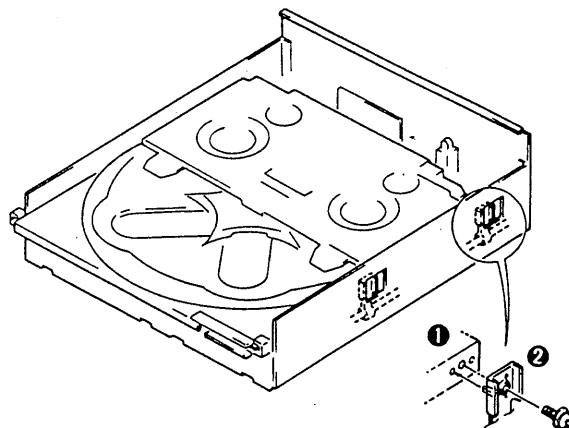


Fig. 4

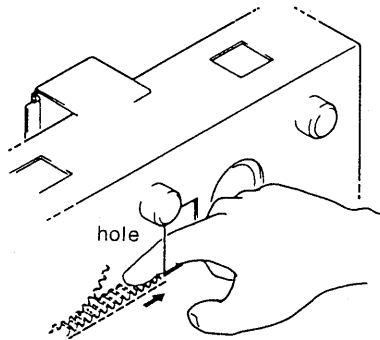
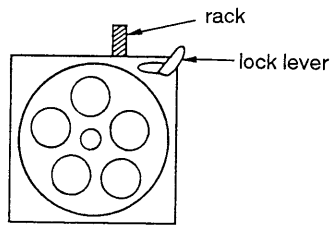


Fig. 5

6. The rack of the station base should be unlocked to be put behind.

**Note)** Since the disc table does not come out by setting the disc table with this procedure, remove the chassis cover attached to the bottom of chassis ass'y and stick a finger into the squared hole on figure 5 to move the rack behind and remove the mesh with the cam gear to re-mesh with it. Then the disc table will come out.

\* Perform the same procedure when the gear meshes and the disc table does not come out.

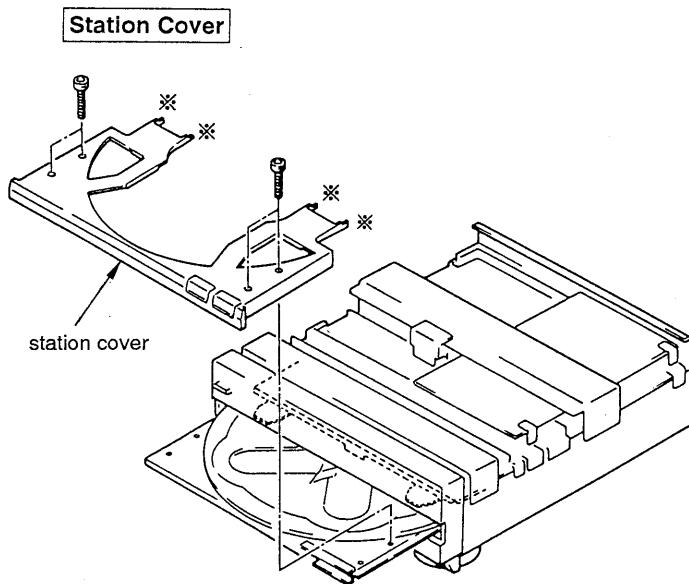


Fig. 6

1. Take out the disc table.
2. Put the station cover on the disc table.
3. Slide the station cover further to the end inserting the four \* marks on figure 6 under the chucking bracket.
4. Hang the rear part of the cover front on the disc table as figure 7.
5. Screw four hexagonal-socket bolts (2m/m)

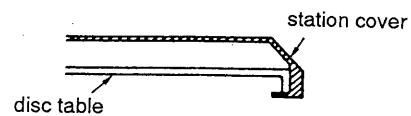


Fig. 7

**Precaution in Setting Each of Four Reinforcements**

Fasten the screws after pressing the reinforcement completely on the guide of the chassis ass'y or the stopper to set the location.

